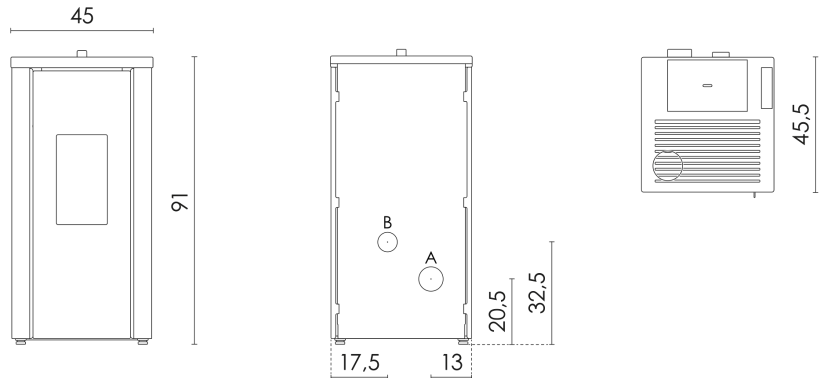
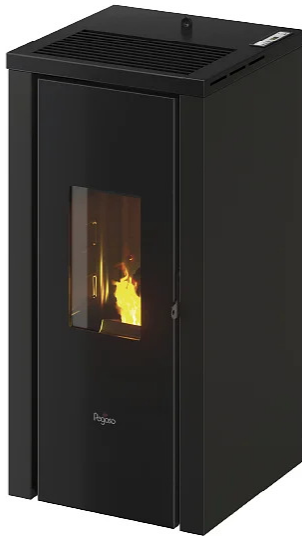


Certificate model name: VERA 7.0



## Pellet stoves Air

### TECHNICAL DATA

Thermic Power (at min-at max)	kW	2,5 - 7,0
Introduced thermal power (at max)	kW	7,7
Water useful power (at min-at max)	kW	- -
Seasonal energy efficiency	$\eta_s$ [%]	86
Useful efficiency (at min-at max)	%	91 - 90
Heatable volume (at min-at max)	m <sup>3</sup>	71 - 200
CO <sub>2</sub> (min-max)	%	6,8 - 12,8
Emissions CO (13% O <sub>2</sub> ) (at min-at max)	mg/Nm <sup>3</sup>	238 - 42
Emissions OGC (13%O <sub>2</sub> ) (at min-at max)	mg/Nm <sup>3</sup>	4,0 - 1,0
Emissions NOX (13% O <sub>2</sub> ) (at min-at max)	mg/Nm <sup>3</sup>	140 - 117
Dust content at 13% O <sub>2</sub> (at min-at max)	mg/Nm <sup>3</sup>	20 - 15
Fuel Pellet	mm	Ø6 L=3÷40
Hopper capacity	kg	15
Hourly consumption (at min-at max)	kg/h	0,6 - 1,7
Autonomy (at min-at max)	h	25 - 9
Supply and frequency	V-Hz	230-50
Ignition electrical absorption	W	345
Operating electrical absorption (at max)	W	49
Chimney flue depression (at min-at max)	Pa	2 - 10
Mass of smoke (at min-at max)	g/sec	2,6 - 4,6
Exhaust fumes temperature (at min-at max)	°C	113 - 190
Distance from material comb. (back/side/under)	mm	200 / 300 / 0
Distance to material comb. (front/top)	mm	1000 / 750
Exhaust fumes outlet (A)	Ø mm	80
Combustion air inlet (B)	Ø mm	60
Appliance Type (tightness)	Type	CC50

### PLUS



Back exhaust



Airtight pellet stove



Connection to the external thermostat



Easy Start brazier



Daily weekly programming



Cast iron burning pot

### AVAILABLE FINISHES

7020030		Steel White	EAN 8053859012511
7020031		Steel Red Bordeaux	EAN 8053859012528
7020032		Steel Anthracite	EAN 8053859012535

### CERTIFICATIONS

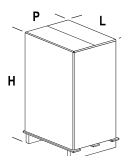
European standards  
Art. 15A B-VG 2015  
BImSchV 2015  
Regensburg  
München  
Stuttgart  
Aachen



EN 14785:2006  
CE



### STOVE PACKAGE



L (cm)	H (cm)	P (cm)
80	117	60
Volume (m <sup>3</sup> )	0,56	
Gross weight (kg)	65	
Net weight (kg)	55	

### STORAGE



N° (max)
2

### TRANSPORT

