

INSTALLER MANUAL

Pellet Stove








©2022 CADEL srl | All rights reserved - Tutti i diritti riservati

**LORD 7/7.0 - SWEET³ 7/7.0 - PERLA³ 7/7.0, - CRISTAL³ 7/7.0 -
ONE AIRTIGHT - BEAM AIRTIGHT - ACCENT AIRTIGHT
SHARP AIRTIGHT - LEE AIRTIGHT - SOUND³ 5/7 UP
CHROME 5/7 AIRTIGHT - ROUND 5/7 AIRTIGHT - FLOYD 5.0/7.0**

SUMMARY

1	MANUAL SIMBOLOGY	3
2	PACKAGING AND HANDLING	3
2.1	PACKAGING	3
2.2	REMOVING THE STOVE FROM THE PALLET	3
2.3	STOVE HANDLING.....	4
3	CHIMNEY FLUE	4
3.1	PREPARING THE SMOKE EXPULSION SYSTEM.....	4
3.2	CHIMNEY COMPONENTS	4
3.3	SMOKE DUCT (SMOKE FITTING).....	5
3.4	FLUE (CHIMNEY OR PIPED DUCT)	5
3.5	CHIMNEY POT.....	6
3.6	MAINTENANCE.....	7
4	COMBUSTION AIR	7
4.1	AIR INLET	7
4.2	COMBUSTIBLE AIR INLET FOR SEALED-CHAMBER INSTALLATION	8
5	EXAMPLES OF INSTALLATION (DIAMETERS AND LENGTHS TO BE SIZED)	9
6	INSTALLATION	10
6.1	INTRODUCTION	10
6.2	MINIMUM DISTANCES.....	11
6.3	OVERALL DIMENSIONS	12
6.4	STOVE DOOR REMOVAL/INSTALLATION	18
6.5	REMOVAL/ASSEMBLY OF THE FRAME (SWEET ³ 7.0 - ONE AT - BEAM AT - ACCENT AT - ACCENT K AT)	18
6.6	REMOVAL/ASSEMBLY OF SIDE PANELS (SWEET ³ 7.0 - ONE AT - BEAM AT - ACCENT AT - ACCENT K AT)	18
6.7	REMOVAL/ASSEMBLY OF SIDE PANELS (CRISTAL ³ 7.0 - LORD 7.0).....	19
6.8	REMOVAL/ASSEMBLY OF SIDE PANELS (SHARP AT - LEE AT).....	19
6.9	REMOVAL/ASSEMBLY OF BACK PANELS (PERLA ³ 7.0)	20
6.10	TILES ASSEMBLY (PERLA ³ 7.0)	20
6.11	REMOVAL/ASSEMBLY OF METAL/TILE PROFILES (PERLA ³ 7.0).....	20
6.12	MOUNTING THE STAND (ACCENT AT)	21
6.13	REMOVAL/ASSEMBLY OF CURVED SIDE PANELS (CHROME - SOUND - ROUND - FLOYD)	21
6.14	INSTALLATION OF TEE FITTING (EXCLUDING SOUND ³	
	UP - CHROME AT - FLOYD MODELS)	22
6.15	INSTALLATION OF SHARP AIRTIGHT REAR EXHAUST	22
6.16	INSTALLATION OF THE FUMES OUTLET CONCENTRIC PIPE SHARP/LEE/CRISTAL/ONE/BEAM/ACCENT/PERLA/ SWEET/LORD	22
6.17	INSTALLATION OF CONCENTRIC SMOKE OUTLET WITH COMBUSTION AIR DECOUPLED (ONLY MODELS CHROME/ ROUND/FLOYD/SOUND)	23
6.18	ELECTRIC CONNECTION	24
6.19	CONNECTION TO THE EXTERNAL THERMOSTAT	24
6.20	CONNECTION TO THE EXTERNAL THERMOSTAT	25
6.21	STOVE CALIBRATION AND DEPRESSION MEASUREMENT	25
7	SPECIAL MAINTENANCE	26
7.1	INTRODUCTION	26
7.2	FUME CONDUIT CLEANING.....	26
7.3	FUME CONDUIT CLEANING ROUND STOVES.....	27
7.4	FUME PASSAGES CLEANING.....	28
7.5	ROOM FAN CLEANING	29
7.6	FUME PIPES ANNUAL CLEANING	29
7.7	GASKET REPLACEMENT.....	29
8	IN CASE OF ANOMALY	29
8.1	PROBLEM SOLVING	29
9	TECHNICAL DATAS	32
9.1	REPAIR INFORMATION	32
10	FEATURES	33

1 MANUAL SIMBOLOGY

	USER
	AUTHORISED TECHNICIAN (ONLY to interpret or the Stove-manufacturer or the Authorized Technician of Technical Assistance Service approved by the Stove-manufacturer)
	SPECIALIZED STOVE-REPAIRER
	CAUTION: READ CAREFULLY THE NOTE
	CAUTION: DANGER OR IRREVERSIBLE DAMAGE POSSIBILITY

- The icons with the stylized figures indicates whom the subject dealt in the paragraph is addressed to (between the User and/or the Authorized Technician and/or the Specialized Stove-repairer).
- WARNING symbols indicates an important note.

2 PACKAGING AND HANDLING

2.1 PACKAGING

- The packaging is made up of recyclable cardboard boxes according to RESY standards, recyclable expanded polystyrene inserts and wooden pallets.
- All packaging materials can be re-used for a similar use or eventually discharged as waste assimilable to the municipal solid ones, in accordance with current regulations.
- After having removed the packaging please assure you about the integrity of the product.

2.2 REMOVING THE STOVE FROM THE PALLET

Proceed as follows:

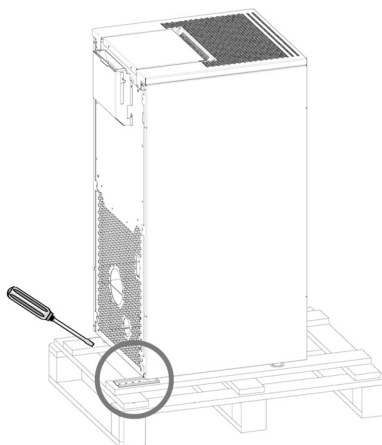


Fig. 1 - Bracket removal

- Remove the brackets which secure the feet of the stove (see **Fig. 1**). Then remove the stove from the pallet.

2.3 STOVE HANDLING

Both whether the stove is packed or not it is necessary to observe the following instructions for handling and transporting the stove from its sale point to its installation point and for any future movements:

- The stove must be handled with idoneous means paying attention to the existing safety regulations;
- do not turn the stove upside down and/or upset it on one side, but keep it in vertical position or as accorded with the constructor instructions;
- if the stove is made up of ceramic, stone, glass or any particularly fragile material components, all must be moved with the utmost care.

3 CHIMNEY FLUE

3.1 PREPARING THE SMOKE EXPULSION SYSTEM

The combustion product expulsion system is a particularly important element for the proper operation of the appliance and must be correctly sized according to EN 13384-1.

Its creation/adaptation/verification must always be carried out by a legally qualified operator and must comply with the regulations in force in the country where the appliance is installed.

The Manufacturer declines all liability for malfunctions caused by a badly sized and non-compliant smoke expulsion system.

3.2 CHIMNEY COMPONENTS

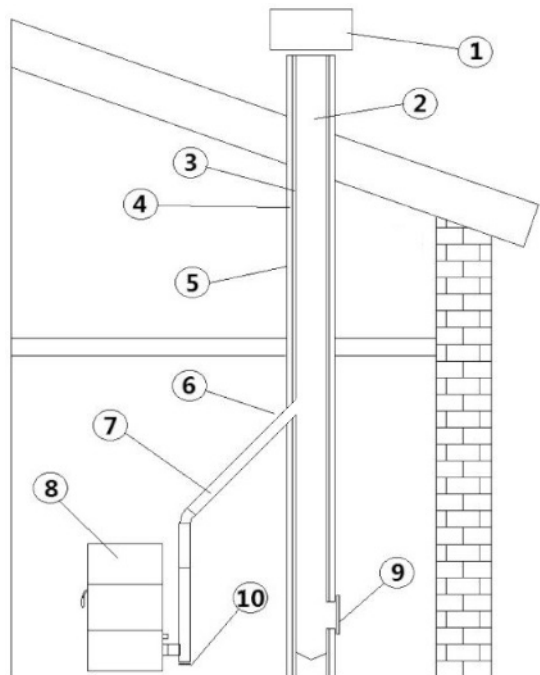


Fig. 2 - Chimney components

LEGEND	Fig. 2
1	<i>Chimney pot</i>
2	<i>Fume outlet</i>
3	<i>Chimney flue</i>
4	<i>Thermal insulation</i>
5	<i>External wall</i>
6	<i>Chimney union</i>
7	<i>Fume pipe</i>
8	<i>Heat generator</i>
9	<i>Inspection door</i>
10	<i>T-union with inspection plug</i>

3.3 SMOKE DUCT (SMOKE FITTING)

The smoke duct is the pipe that connects the appliance to the flue.

This smoke fitting must comply in particular with the following requirements:

- comply with product standard EN 1856-2;
- its cross-section must be of constant diameter and no less than that of the appliance outlet, from the firebox outlet up to the connection in the flue;
- the horizontal section must be as short as possible and extend no more than 4 metres;
- the horizontal sections must have a minimum upward slope of 3%;
- changes of direction must have an angle no greater than 90° and be easy to inspect
- the number of changes of direction, including that for entry into the flue, and exclusion of the T in the event of a side or rear outlet, must not exceed 3;
- it must be insulated if it passes outside the installation room
- it must not in any case cross rooms in which it is forbidden to install combustion appliances.
- the use of flexible metal and fibre cement or aluminium hoses is forbidden;

In any case, smoke ducts must be sealed against combustion products and any condensation. For this reason, it is recommended to use pipes with silicone gaskets or similar sealing devices that withstand the operating temperatures of the appliance (e.g. T200 P1) and that by removing the gaskets, are still T400 N1 G certified.

SYSTEM TYPE	Ø80 mm PIPE	Ø100 mm PIPE
Minimum vertical length	1,5 mt	2 mt
Maximum length (with 1 union)	6,5 mt	10 mt
Maximum length (with 3 unions)	4,5 mt	8 mt
Maximum number of unions	3	3
Level section (minimum inclination 3%)	4 mt	4 mt
Installation at a height above 1200 m a.s.l.	NO	Obligatory

3.4 FLUE (CHIMNEY OR PIPED DUCT)

When creating the flue, in particular comply with the following requirements:

- comply with the applicable product standard (EN 1856, EN 1857 EN 1457, EN 1806, EN 13063..);
- be made with suitable materials to ensure resistance to normal mechanical, chemical, thermal stresses and have adequate thermal insulation in order to limit the formation of condensate;
- have a predominantly vertical configuration and be free of choke points along its entire length;
- be correctly spaced by air gaps and isolated from combustible materials;
- the flue inside the house must still be insulated and can be inserted in an air shaft provided it complies with the regulations for piping;
- the smoke duct must be connected to the flue by means of a Tee fitting with an inspectable collection chamber for the collection of soot and any condensate.
- where the sizing provides for wet operation, a suitable condensate collection and siphon discharge system must be set up.



We recommend checking the data plates of the flue for the safety distances that must be observed in the presence of combustible materials and, if necessary, the type of insulating material to be used. It is forbidden to connect the stove to a collective or shared flue with other combustion appliances or with hood outlets.

It is forbidden to use the direct drain on the wall or towards indoor spaces and any other form of drain not provided for by the regulation in force in the country of installation.

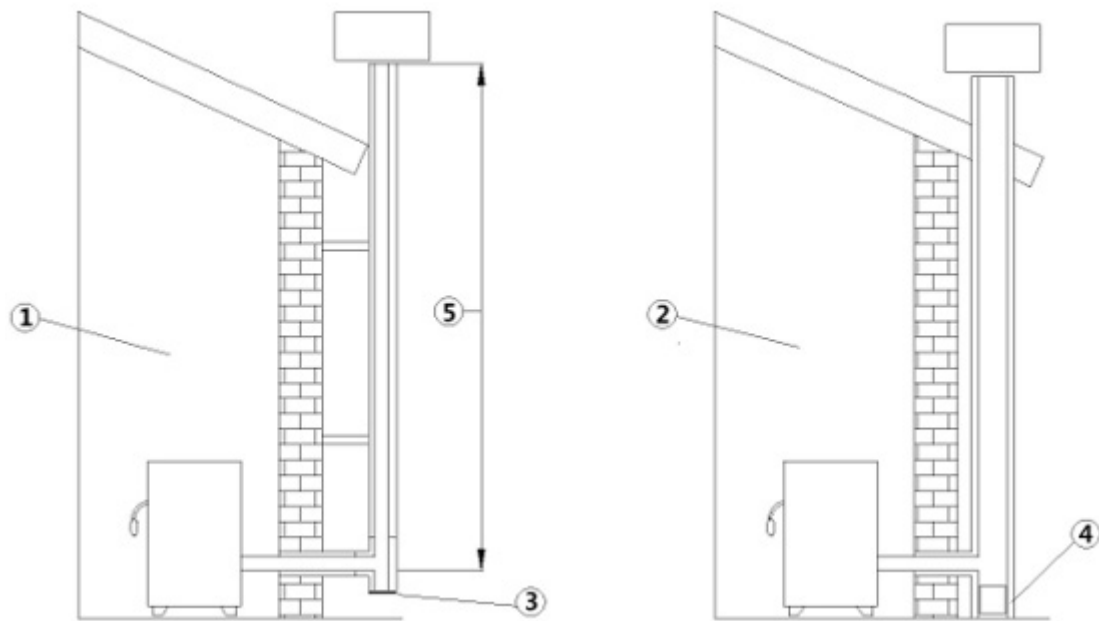


Fig. 3 - Chimney Flues

LEGEND	Fig. 3
1	Chimney flue with insulated stainless-steel pipes
2	Chimney flue on the existing chimney
3	Inspection plug
4	Inspection door

- The chimney flue must be provided CE in accordance with EN 1443 regulation. Please find attached an example of label:



Fig. 4 - Example of label

3.5 CHIMNEY POT

The chimney pot, meaning the end part of the flue, must meet the following characteristics:

- the smoke outlet section must be at least double the internal section of the chimney;
- prevent the penetration of rain or snow;
- ensure the outlet of smoke even in the event of wind (windproof chimney pot);
- the height of outflow must be beyond the reflux area (***) (refer to national regulations to identify the reflux area);
- always be built at a distance from antennas or dishes, and never be used as a support.

(***) unless there are specific national derogations (clearly specified in the corresponding instruction manual in English) which under appropriate conditions allow it; in this case, strictly follow the product/installation requirements of the relative regulations/technical specifications/legislation in force in that country.

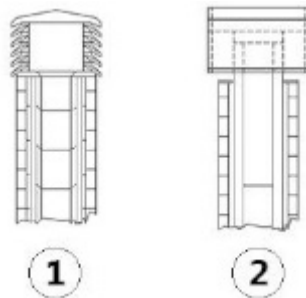


Fig. 5 - Anti-wind chimney pots

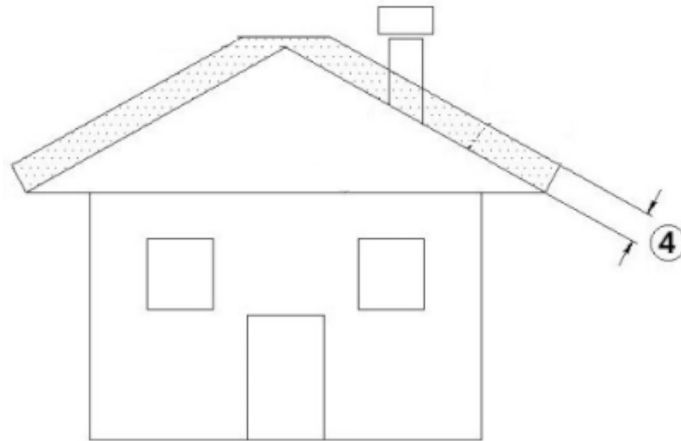


Fig. 6 - Reflux area

3.6 MAINTENANCE

- The fumes extraction pipes (fumes conduit + chimney flue + chimney pot) must always be cleaned, scrubbed and checked by an expert stove-repairer, in compliance with current regulations, with the instructions of the stove-manufacturer and the directives of your insurance company.
- In case of doubts, please follow the most restrictive regulations.
- Have your chimney flue and chimney pot checked and cleaned by an expert chimney sweep at least once a week. The chimney sweep has to release a written declaration about the security of the system.
- Not cleaning compromise safety.

4 COMBUSTION AIR

4.1 AIR INLET

It is mandatory to provide an adequate external air inlet that supplies the combustion air required for the product to work properly. The flow of air between the outside and the installation room can take place with a free air inlet or by channelling the air directly to the outside (***)).

The free air inlet must:

- be made at floor level;
- always be protected with an outer grille and in such a way that it cannot be obstructed by any object;
- have a minimum total free area of 80 cm² (net of the grille);

The presence of other suction devices (e.g.: vmc, electric fan for stale air extraction, kitchen hood, other stoves, etc.), in the same room could cause negative pressure in the room. In this case, with the exception of sealed installations, one must verify that, with all the equipment on, no more than 4 Pa of negative pressure is created inside the installation room with respect to the outside. If necessary, increase the air inlet section.

It is possible to duct the air required for combustion to the outside by connecting the external air inlet directly with the combustion air inlet which is usually found on the back of the appliance.

The duct must comply with the following dimensions (each 90° bend is equivalent to one linear metre):

*(***) In the event the combustion air is ducted on unsealed products, still verify that no more than 4 Pa of negative pressure is created inside the installation room with respect to the outside, otherwise provide for an additional air intake in the room.*

Below 15 kW:

Air duct diameter	Maximum length (smooth duct)	Maximum length (corrugated duct)
50 mm	2 m	1 m
60 mm	3 m	2 m
80 mm	7 m	4 m
100 mm	12 m	9 m

Above 15 kW:

Air duct diameter	Maximum length (smooth duct)	Maximum length (corrugated duct)
50 mm	-	-
60 mm	1 m	-
80 mm	3 m	1 m
100 mm	7 m	4 m

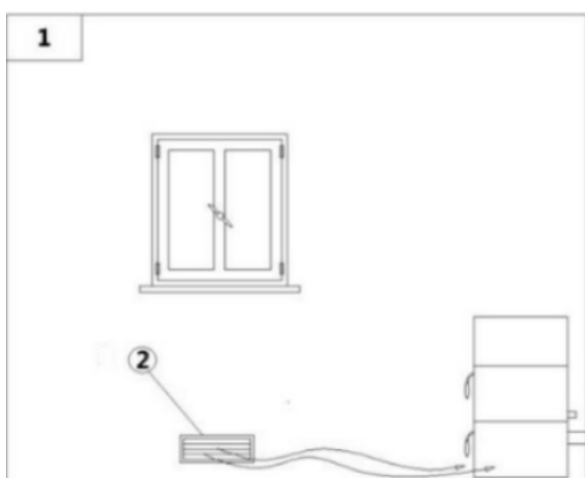


Fig. 7 - Direct air inflow

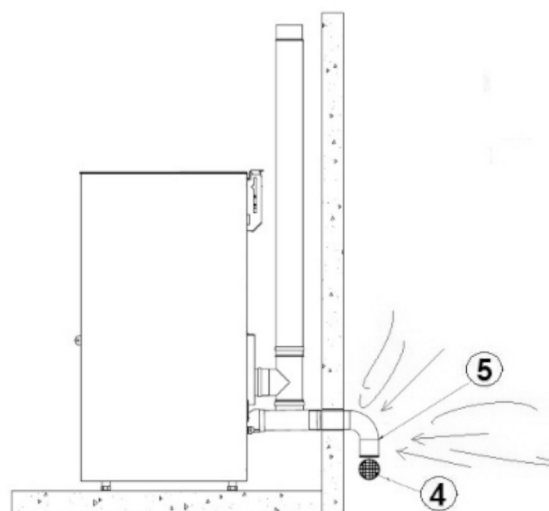


Fig. 8 - Air inlet for sealed-chamber installation

LEGEND	Fig. 7 Fig. 8
1	Room to ventilate
2	External air inlet
4	Shield grid
5	Curve inlet to turn downwards

4.2 COMBUSTIBLE AIR INLET FOR SEALED-CHAMBER INSTALLATION

How to connect to the stove in the sealed chamber with concentric system:



Fig. 9 - Phase1

- Connect the air intake pipe to the combustion air pipe of the stove and tighten everything with a clamp (see [Fig. 9]).

5 EXAMPLES OF INSTALLATION (DIAMETERS AND LENGTHS TO BE SIZED)

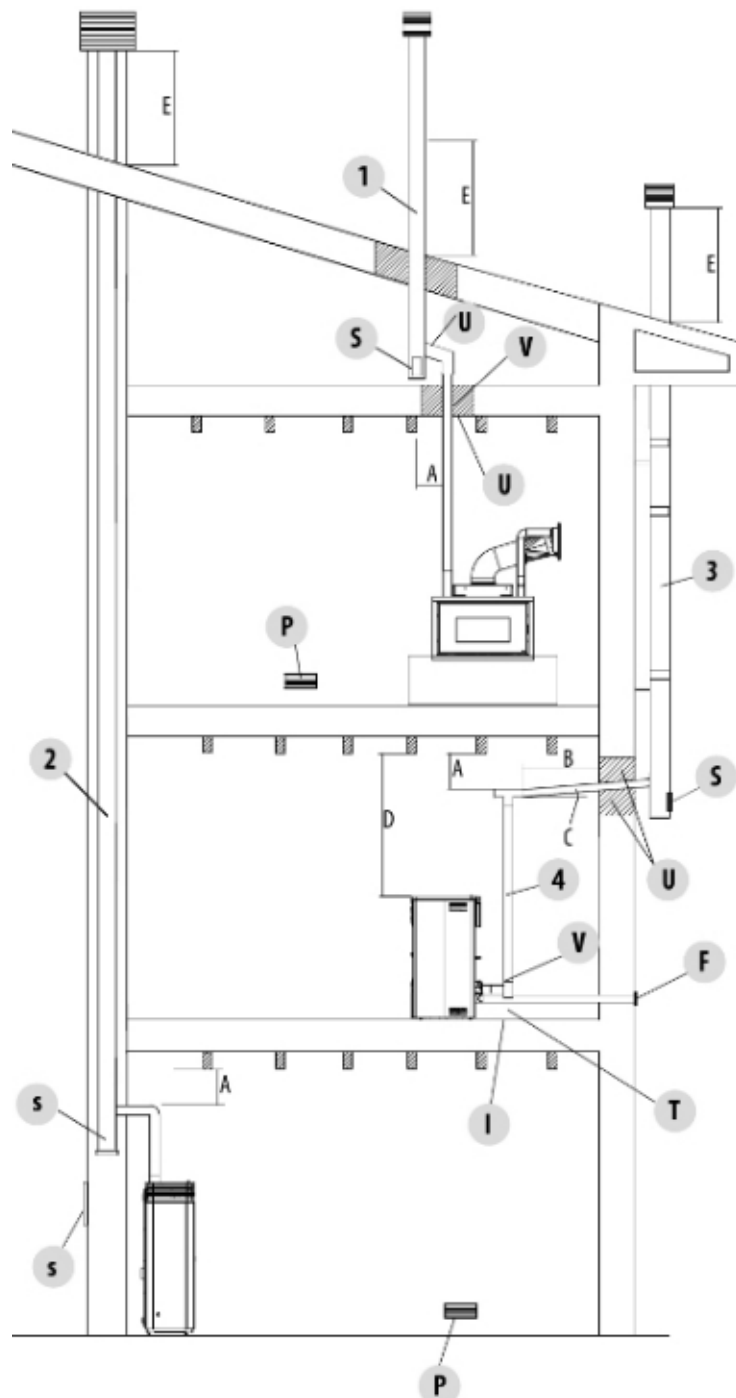


Fig. 10 - Chimney flue

- 1.** Flue installation with hole for the passage of the pipe increased by:
 minimum 100mm around the pipe if next to non-flammable parts such as cement, brick, etc.; or
 minimum 300mm around the pipe (or as required by plate data) if next to flammable parts such as wood etc.
 In both cases, install suitable insulation between the flue and the ceiling.
 Always check and comply with the plate data of the flue, specifically the minimum safety distances from combustible materials.
 The previous rules also apply for holes made in walls.
- 2.** Old flue, pipe with the inclusion of an external access door for chimney cleaning.
- 3.** External flue made of insulated stainless-steel pipes, i.e. with double walls: all securely mounted on the wall. With windproof chimney cap.
- 4.** Ducting system using Tee fittings that allow easy access for cleaning without having to remove the pipes.

LEGEND	Fig. 10
U	Insulation
V	Possible diameter increase
I	Inspection cap
S	Inspection access panel
P	Air inlet
T	Tee fitting with inspection cap
A	Distance from flammable material (smoke duct plate)
B	Maximum 4 m
C	Minimum 3° slope
D	Distance from flammable material (appliance plate)
E	Reflux area
F	Air ducting



The instructions in this chapter refer explicitly to the Italian installation regulation UNI 10683. In any case, always observe the regulations in force in the country of installation.

6 INSTALLATION

6.1 INTRODUCTION

The heating system (generator + combustion air supply + combustion product expulsion system + any hydraulic/aeraulic system) must be installed in compliance with the laws and regulations in force (*), and carried out by a qualified technician, who must issue a declaration of conformity of the system to the system manager and shall undertake full responsibility for final installation and consequent good operation of the product.

The manufacturer declines all responsibility in the event of installations that do not comply with the laws and regulations in force and inappropriate use of the appliance.

In particular one must ensure that:

- the environment is suitable for installing the appliance (floor load-bearing capacity, presence or possibility of creating an adequate electrical/hydraulic/aeraulic system when required, volume compatible with the appliance characteristics, etc.);
- the appliance is connected to a smoke expulsion system correctly sized according to EN 13384-1, which is resistant to soot fire and which complies with the distances prescribed by the combustible materials indicated on the plate data;
- there is a suitable combustion air flow to the appliance;
- other combustion appliances or extraction devices installed do not cause a negative pressure of more than 4 Pa in the room where the product is installed compared to the outside (only sealed appliances are allowed a maximum of 15 Pa of negative pressure in the room).

(*): *The national reference standard for the installation of domestic appliances is UNI 10683 (IT) - DTU NF 24.1 (FR) - DIN 18896 (DE) - NBN B 61-002 (BE) - Real Decreto 1027/2007 (ES) - Paesi Bassi (NL) Bouwbesluit - Danmark (DK) BEK n° 541 del 27/04/2020.*

In particular, it is recommended to strictly observe the safety distances from combustible materials to avoid serious harm to people and to the integrity of the home.

Installation of the appliance must ensure easy access to service the appliance itself, the smoke channels and the flue. Always maintain adequate distance and protection in order to prevent the product from coming into contact with water.

It is forbidden to install the stove in rooms with a fire hazard.

With the exception of sealed installations, it is also forbidden for liquid fuel appliances with continuous or intermittent operation that draw the combustion air from the room they are installed in or B-type gas heating appliances, with or without the production of domestic hot water, to coexist in the same room or in interconnecting rooms.



Sealed installation means that the product is certified as sealed and its installation (ducting of the combustion air and connection to the chimney) is airtight with respect to the installation environment.

A sealed installation does not consume the room's oxygen because it draws all the air from the outer environment (if suitably ducted) and makes it possible to install the product in all houses that require a high degree of insulation such as "passive" or "high energy efficiency" houses. Thanks to this technology there is no risk of smoke emissions in the room and no air inlets - hence not even the relevant ventilation grilles - are required in the installation premises.

Consequently, there will be more draughts of cold air in the room, thus making it more comfortable and increasing the overall efficiency of the system. The sealed stove in a sealed installation is compatible with the presence of forced ventilation or premises that might have negative pressure with respect to the outside.

6.2 MINIMUM DISTANCES

Observe the distances from flammable objects (sofas, furniture, wood panelling, etc..) as specified in the following diagram. If objects considered to be particularly sensitive to heat are present, such as furniture, curtains or sofas, as a precaution, increase the stove clearances substantially to avoid possible deterioration due to the effect of heat.

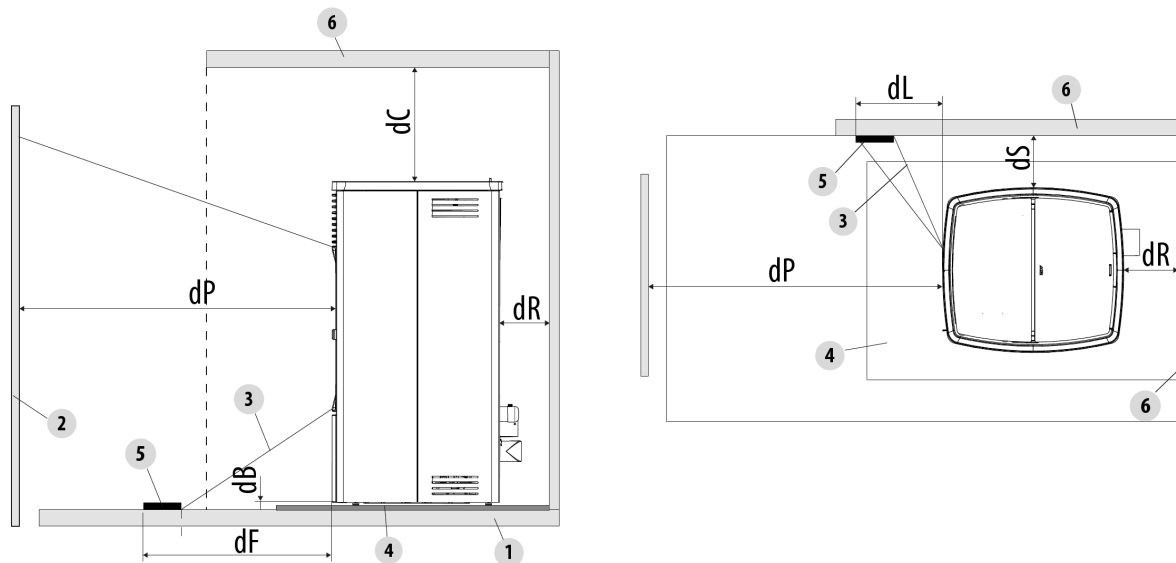


Fig. 11 - Safety distances from combustible material.

.LEGENDA	Fig. 11
dR (rear distance)	200 mm
dS (side distance)	300 mm
dB (lower distance)	0 mm
dC (upper distance)	750 mm
dP (front radiation)	1000 mm
dF (floor radiation)	1000 mm
dL (side radiation)	1000 mm
1	FLOOR
2	FRONT FLAMMABLE MATERIAL
3	AREA SUBJECT TO RADIATION
4	FLOOR GUARD
5	RADIATED SURFACE TO BE PROTECTED
6	REAR/SIDE/UPPER FLAMMABLE SURFACE

If the floor is made of combustible material, use a protection made of non-combustible material (steel, glass...) that also protects the front from any falling combusted material during cleaning operations.



Always fit a floor guard if the floor is made of flammable material.

Install the stove also detached from any non-combustible walls/surfaces, observing a minimum clearance of **200mm** (back) and **300mm** (side) to allow effective aeration of the appliance and a good distribution of heat in the room.

In any case, ensure adequate distance to facilitate access during cleaning and extraordinary maintenance. If this is not possible, it must still be possible to distance the product from adjacent walls/elements.

This operation (1*) must be performed by a technician qualified to disconnect the combustion product expulsion ducts and their subsequent restoration.

For generators connected to the hydraulic system, a connection must be provided between the system itself and the product so that, during extraordinary maintenance, carried out by a qualified technician, it is possible to move the generator 1 by at least 50 cm from adjacent walls without emptying the system (e.g. by using a double shut-off gate or suitable flexible connection).

(1*) The national reference standard for the installation of domestic appliances is UNI 10683 (IT) - DTU NF 24.1 (FR) - DIN 18896 (DE) - NBN B 61-002 (BE) - Real Decreto 1027/2007 (ES) Paesi Bassi (NL) Bouwbesluit - Danmark (DK) BEK n° 541 del 27/04/2020.

6.3 OVERALL DIMENSIONS

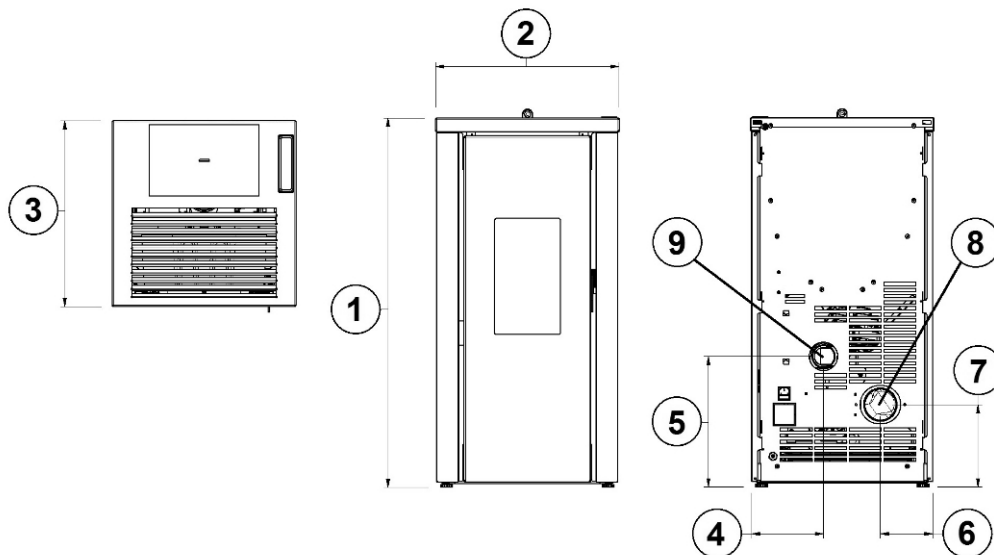


Fig. 12 - General dimensions: LORD 7 - 7.0

LEGEND	Fig. 12
1	90,7 cm
2	45,2 cm
3	45,7 cm
4	18,2 cm
5	31,4 cm
6	12,9 cm
7	20,2 cm
8	Exhaust fumes d.8 cm
9	Hole combustion air inlet d.6 cm

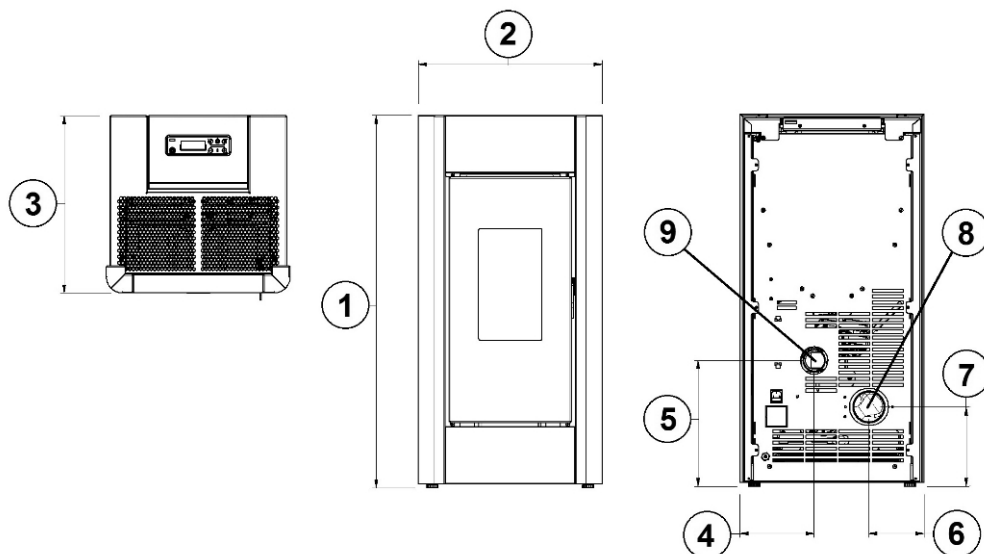


Fig. 13 - General dimensions: SWEET 7 - 7.0

LEGEND Fig. 13

1	95 cm
2	47 cm
3	45,2 cm
4	17,9 cm
5	32,4 cm
6	13,1 cm
7	20,5 cm
8	Exhaust fumes d.8 cm
9	Hole combustion air inlet d.6 cm

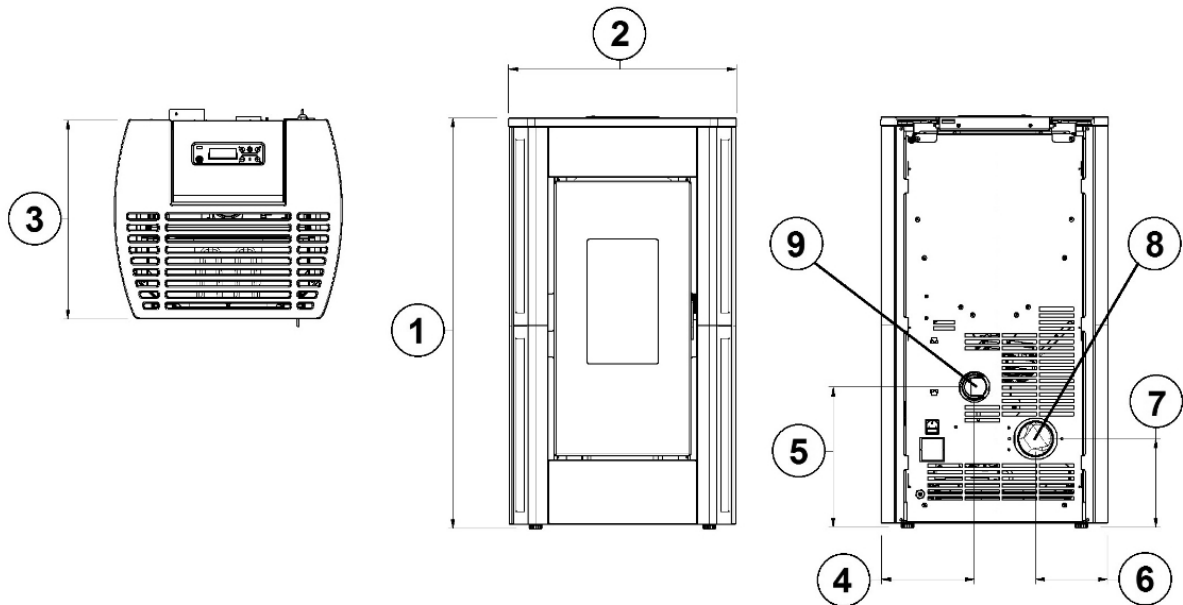


Fig. 14 - General dimensions: PERLA³ 7 - 7.0

LEGEND Fig. 14

1	94 cm
2	52,1 cm
3	45,6 cm
4	21,3 cm
5	32,4 cm
6	16,5 cm
7	20,5 cm
8	Exhaust fumes d.8 cm
9	Hole combustion air inlet d.6 cm

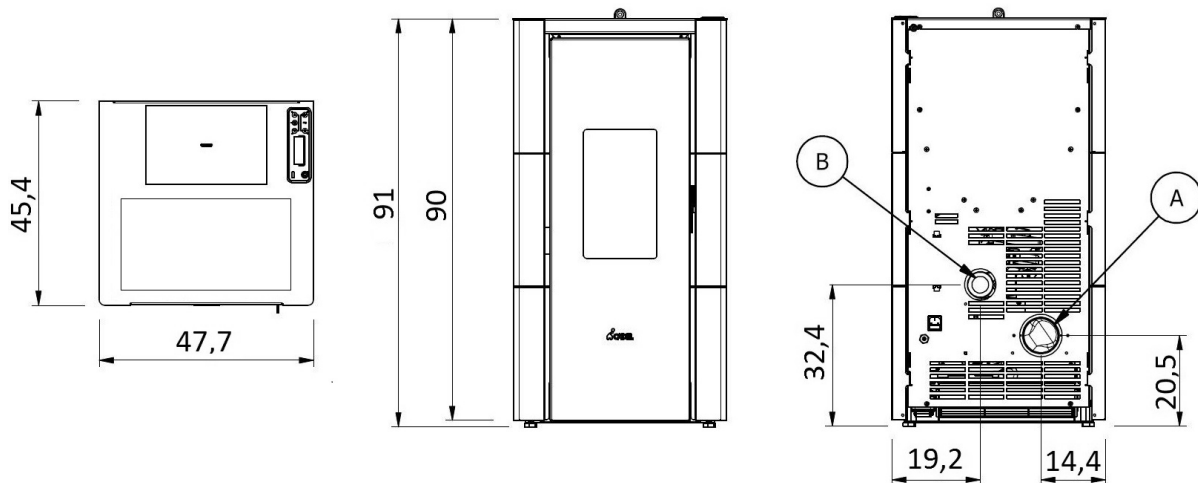


Fig. 15 - General dimensions: CRISTAL³ 7 - 7.0

LEGENDA Fig. 15

A	Exhaust fumes d.8 cm
B	Hole combustion air inlet d.6 cm

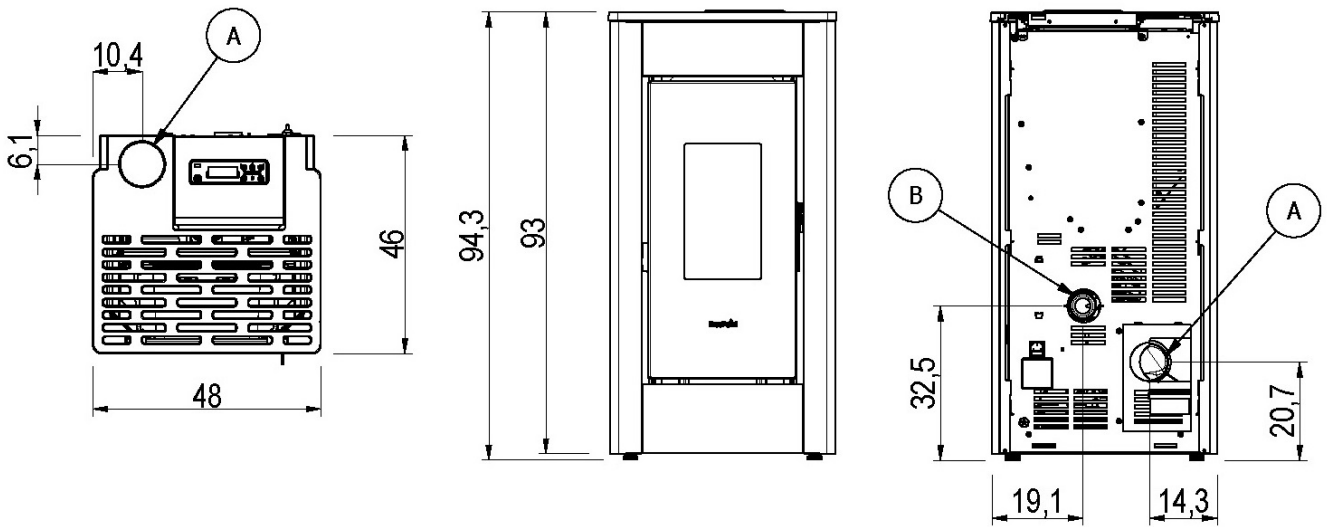


Fig. 16 - General dimensions: SHARP AIRTIGHT - LEE AIRTIGHT

LEGENDA Fig. 16

A	Exhaust fumes d.8 cm
B	Hole combustion air inlet d.6 cm

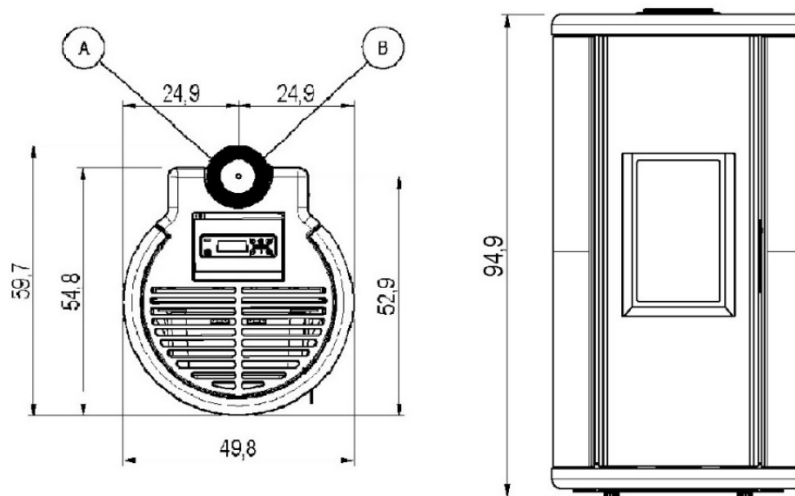


Fig. 17 - General dimensions: SOUND3 SUP - 7UP

LEGENDA Fig. 17

A	Exhaust fumes d.8 cm
B	Hole combustion air inlet d.6 cm

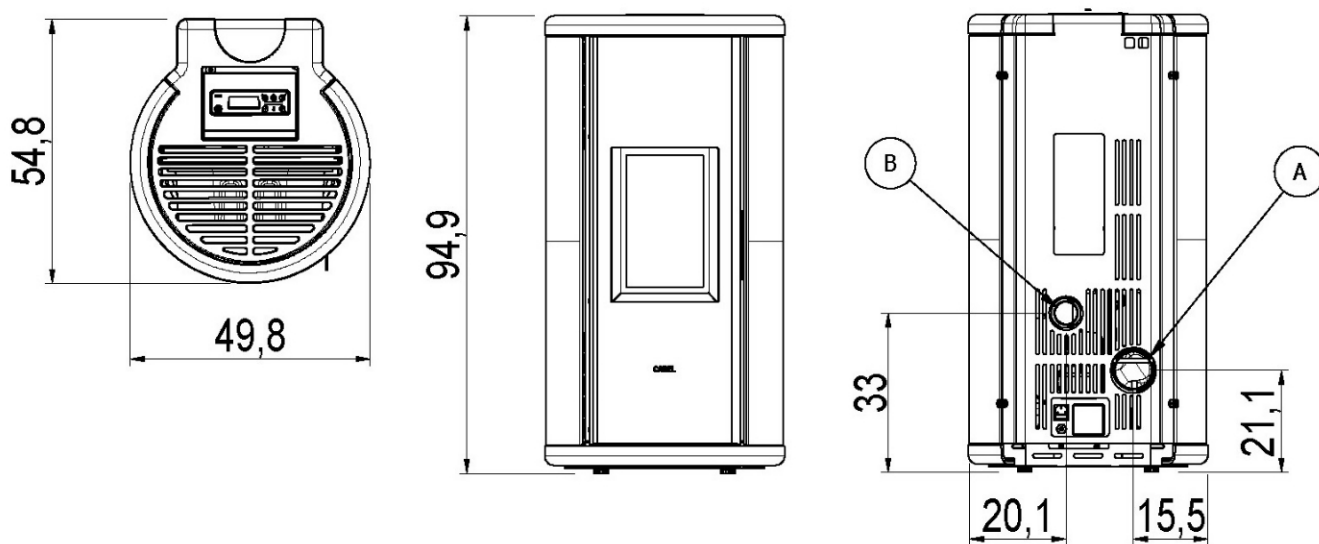


Fig. 18 - Dimensioni generali: SOUND 5PS - 7PS

LEGENDE Fig. 18

A	Exhaust fumes d.8 cm
B	Hole combustion air inlet d.6 cm

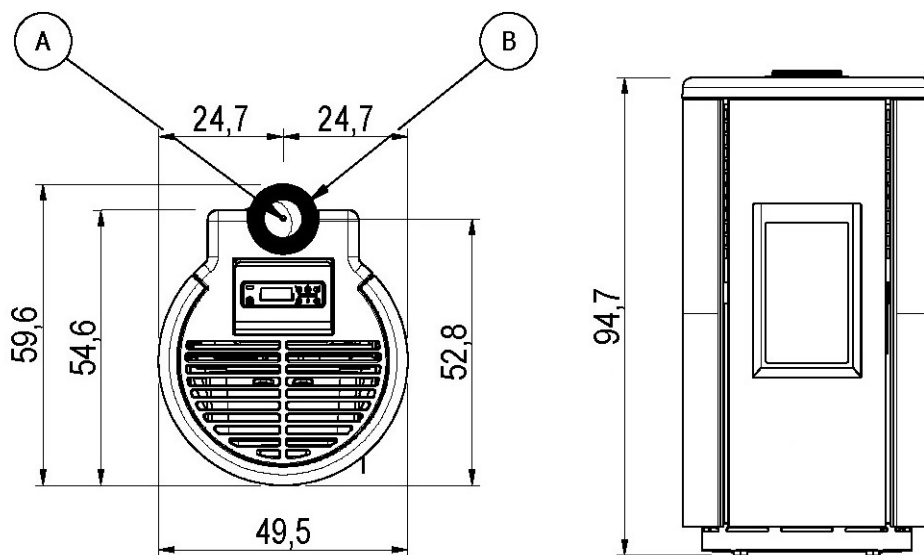


Fig. 19 - General dimensions: CHROME 5-7 AIRTIGHT - ROUND 5-7 AIRTIGHT

LEGENDA Fig. 19

A	Exhaust fumes d.8 cm
B	Hole combustion air inlet d.6 cm

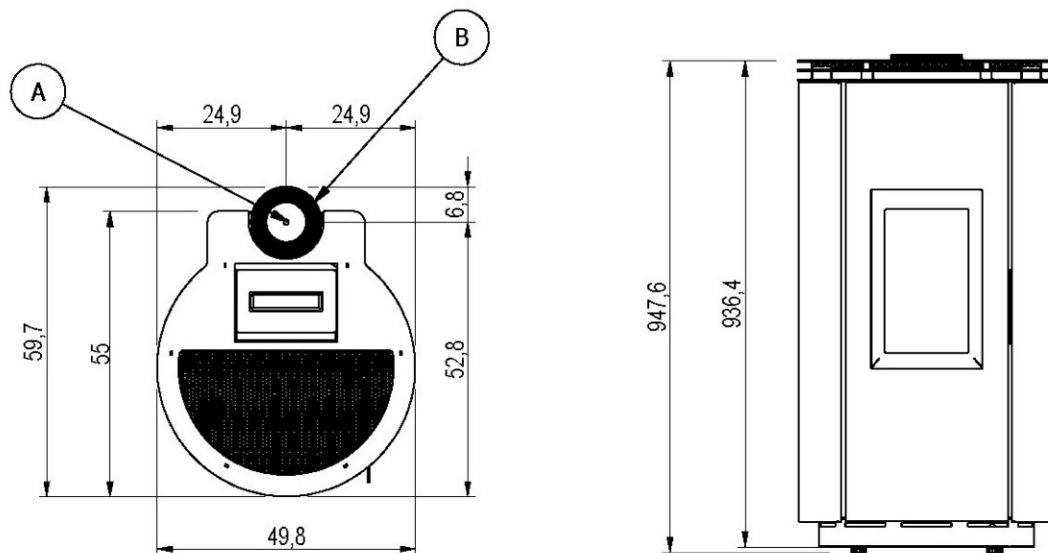


Fig. 20 - General dimensions: FLOYD 5.0 - 7.0

LEGEND Fig. 20

A	Exhaust fumes d.8 cm
B	Hole combustion air inlet d.6 cm

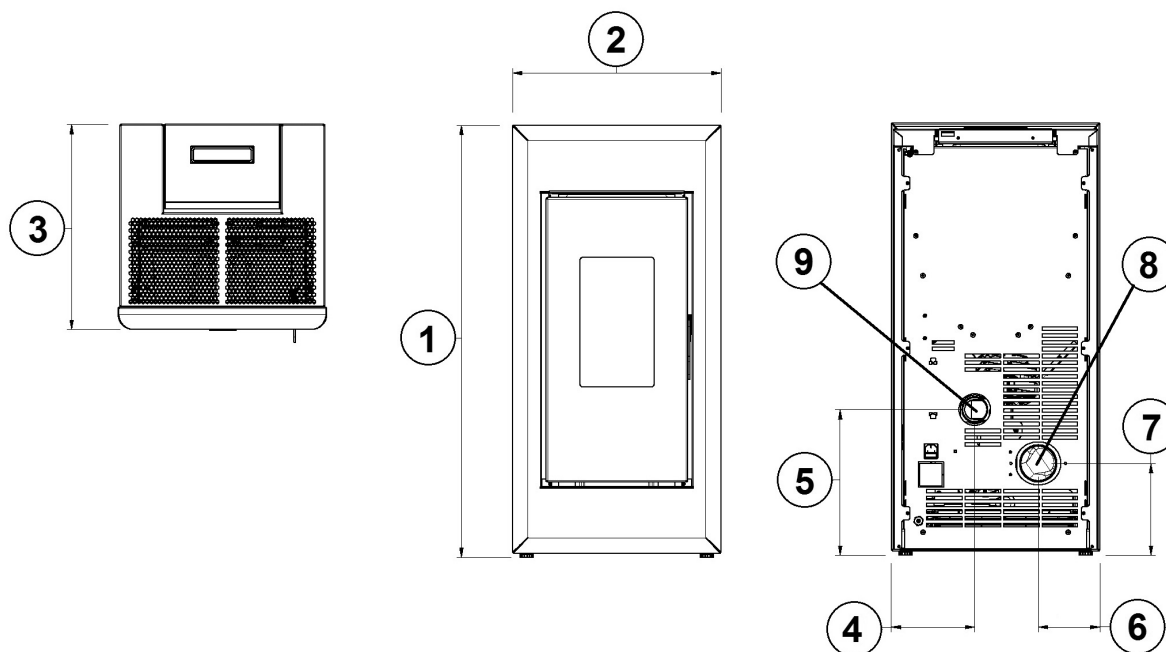


Fig. 21 - General dimensions: ONE/BEAM AIRTIGHT

LEGEND Fig. 21

1	95,2 cm
2	46 cm
3	45,2 cm
4	18,9 cm
5	31,4 cm
6	13,6 cm
7	20,2 cm
8	Exhaust fumes d.8 cm
9	Hole combustion air inlet d.6 cm

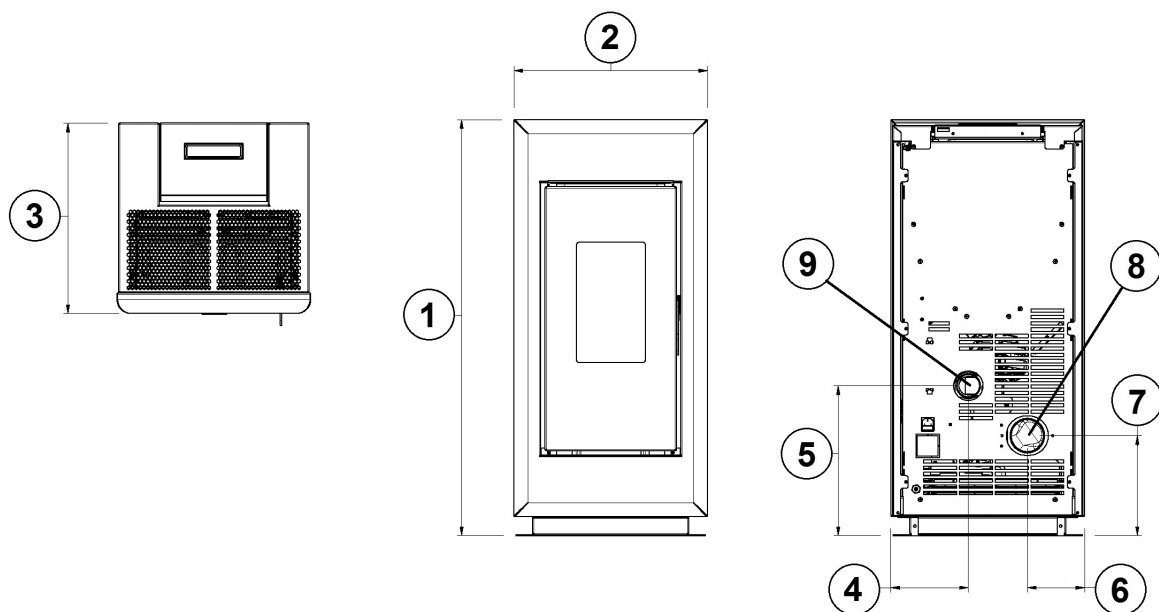


Fig. 22 - General dimensions: ACCENT AIRTIGHT

LEGEND	Fig. 22
1	98,8 cm
2	46 cm
3	45,2 cm
4	18,9 cm
5	35 cm
6	13,6 cm
7	23,7 cm
8	Exhaust fumes d.8 cm
9	Hole combustion air inlet d.6 cm

6.4 STOVE DOOR REMOVAL/INSTALLATION

For some operations (e.g.: side panel assembly and cleaning) you must remove the stove door.

To remove the door:

- Open the door.
- Undo the screws from the upper hinge (see **Fig. 23**).
- Remove the hinge, keeping the door in position (see **Fig. 24**).
- Lift the door and release it from the lower hinge (see **Fig. 25**).
- To assemble, proceed in reverse order.



Fig. 23 - Removing the screws



Fig. 24 - Remove the hinge



Fig. 25 - Remove the door

6.5 REMOVAL/ASSEMBLY OF THE FRAME (SWEET³ 7.0 - ONE AT - BEAM AT - ACCENT AT - ACCENT K AT)

To assemble the frame, proceed as follows:

- Remove the 2 screws at the bottom of the frame (see **Fig. 26**).
- Push the frame upwards and release the teeth (see **Fig. 27**).
- Remove the frame (see **Fig. 28**).
- To assemble the frame, proceed in reverse order.



Fig. 26 - Remove screws



Fig. 27 - Release the frame



Fig. 28 - Remove the frame

6.6 REMOVAL/ASSEMBLY OF SIDE PANELS (SWEET³ 7.0 - ONE AT - BEAM AT - ACCENT AT - ACCENT K AT)

To disassemble the side panels, proceed as follows:

- Undo the rear screws (see **Fig. 29**).
- Open the side panel (see **Fig. 30**) and release the fastening teeth (see **Fig. 31**).
- To assemble, proceed in reverse order.



Fig. 29 - Remove the screws



Fig. 30 - Release the side panels



Fig. 31 - Fastening teeth

6.7 REMOVAL/ASSEMBLY OF SIDE PANELS (CRISTAL³ 7.0 - LORD 7.0)

To disassemble the side panels, proceed as follows:

- Undo the front screws (see **Fig. 32**).
- Open the side panel (see **Fig. 33**) and release the rear teeth (see **Fig. 34**).
- To assemble, proceed in reverse order.



Fig. 32 - Remove the screws



Fig. 33 - Rotate the side panels



Fig. 34 - Remove the side panels

6.8 REMOVAL/ASSEMBLY OF SIDE PANELS (SHARP AT - LEE AT)

To disassemble the side panels, proceed as follows:

- Unscrew the black rear profile (see **Fig. 35**)
- Fix it to the coloured side panel (see **Fig. 36**)
- Fix the complete side panel on the front and back (see **Fig. 37**)
- To assemble, proceed in reverse order.



Fig. 35 - Remove the black profile



Fig. 36 - Fix the coloured side panel



Fig. 37 - Fix the complete side panel

6.9 REMOVAL/ASSEMBLY OF BACK PANELS (PERLA³ 7.0)

To disassemble the back panels, proceed as follows:

- Undo the front screws of the black panel (see **Fig. 38**).
- Open the panel and release the rear teeth (see **Fig. 39**).
- To assemble, proceed in reverse order.



Fig. 38 - Remove the screws



Fig. 39 - Remove the side panels

6.10 TILES ASSEMBLY (PERLA³ 7.0)

To disassemble the tiles, proceed as follows:

- Place the tiles on a worktop and set the tile support above it.
- Have the holes of the profile match those of the tiles and apply all the screws (see **Fig. 40**).
- For assembly on the stove, see the next chapter.



Fig. 40 - Tiles assembly

6.11 REMOVAL/ASSEMBLY OF METAL/TILE PROFILES (PERLA³ 7.0)

To disassemble the front profiles, proceed as follows:

- Undo the front screws of the profile (see **Fig. 41**).
- Open the panel and release the rear teeth (see **Fig. 42**).
- To assemble, proceed in reverse order.



Fig. 41 - Remove the screws



Fig. 42 - Remove the profile

6.12 MOUNTING THE STAND (ACCENT AT)

- Proceed as follows to disassemble the stand:
- Lay the stove down on the ground.
- Remove the stove's feet.
- Secure the stand with the screws supplied (see **Fig. 43**).

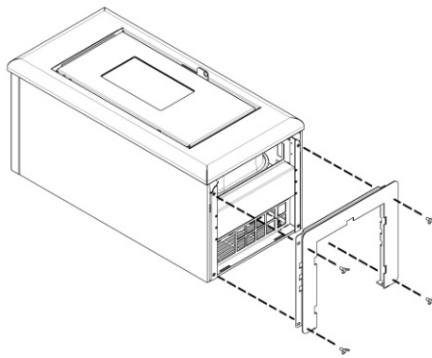


Fig. 43 - Mounting the stand

6.13 REMOVAL/ASSEMBLY OF CURVED SIDE PANELS (CHROME - SOUND - ROUND - FLOYD)

To disassemble the side panels, proceed as follows:

- Unscrew the side screws (see **Fig. 44**).
- Open the side panel (see **Fig. 45**) and release the fastening teeth.
- To assemble, proceed in reverse order.



Fig. 44 - Unscrew the screws



Fig. 45 - Release the side panels

6.14 INSTALLATION OF TEE FITTING (EXCLUDING SOUND³ UP - CHROME AT - FLOYD MODELS)

For stoves with top exhaust, a tee fitting with inspection cap must be installed. The tee fitting must be blocked with the supplied clamp (see).



Fig. 46 - Tee fitting

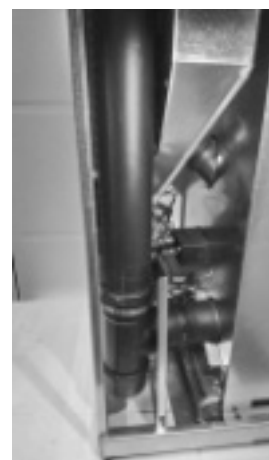


Fig. 47 - Tee fitting

6.15 INSTALLATION OF SHARP AIRTIGHT REAR EXHAUST

The SHARP stove can be installed also with the rear exhaust. Install the supplied 20° elbow (see **Fig. 48**)



Fig. 48 - SHARP rear exhaust

6.16 INSTALLATION OF THE FUMES OUTLET CONCENTRIC PIPE SHARP/LEE/CRISTAL/ONE/BEAM/ACCENT/PERLA/SWEET/LORD

Install the concentric pipe \varnothing 80/130 mm complete with T fitting (see **Fig. 49**)
 Connect the combustion air pipe \varnothing 60 mm (see **Fig. 50**)



Fig. 49 - Phase 1



Fig. 50 - Phase 2

6.17 INSTALLATION OF CONCENTRIC SMOKE OUTLET WITH COMBUSTION AIR DECOUPLED (ONLY MODELS CHROME/ROUND/FLOYD/SOUND)

The stove is designed to be connected to the flue by means of a concentric hose, through the specific preinstalled fitting. If different requirements make it necessary to withdraw combustion air directly from an outside wall, the air hose can be decoupled from the concentric fitting.

Proceed as follows:

- Remove the rear casing from the stove (see **Fig. 51**).
- Break the precut ring with a pair of pliers (see **Fig. 52**).
- Pull off the flexible hose (combustion air) from the concentric fitting, unscrewing the metal clamp (see **Fig. 53**).



Fig. 51 - Remove casing

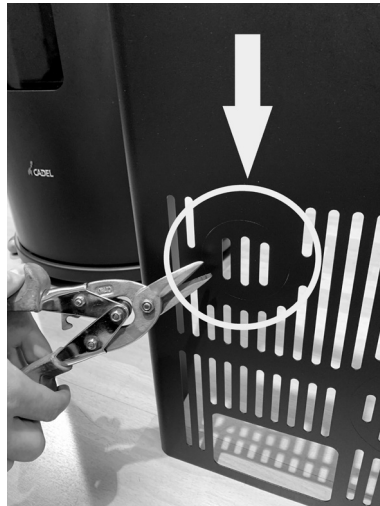


Fig. 52 - Break ring

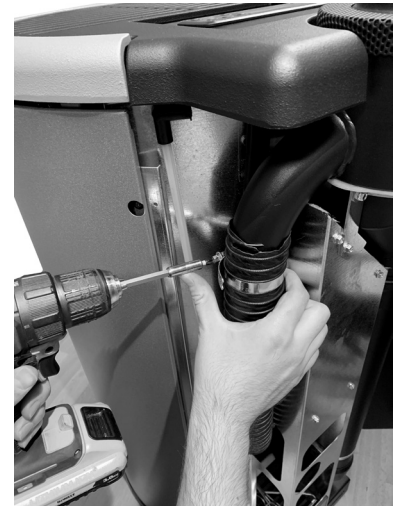


Fig. 53 - Remove flexible hose

- Feed the flexible hose through the hole below the tank (see **Fig. 54**) and through the previously opened hole of the casing (see **Fig. 55**).
- Fit the casing back on the stove (see **Fig. 56**). The hose is now ready to be connected to an outside wall.



Fig. 54 - Feeding flexible hose 1

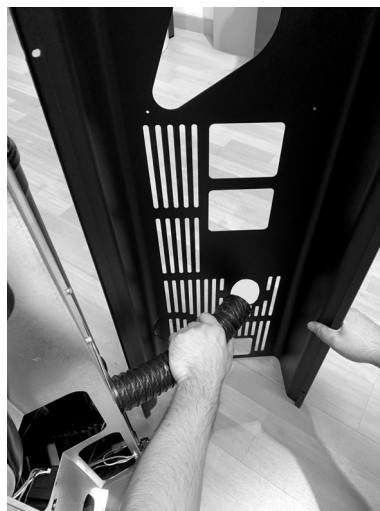


Fig. 55 - Feeding flexible hose 2



Fig. 56 - Decoupled air hose

6.18 ELECTRIC CONNECTION



Warning: the appliance must be installed by an authorized technician!

- The electric connection occurs through a cable with plug put in an electric socket which is able to support charge and tension specific of every model, as described in the technical datas table (see **FEATURES a pag. 32**).
- The plug must be easily accessible when the appliance is installed.
- Please further assure you that your network is endowed with an efficient earth connection: if it does not exist or if it is not efficient, please endow you with one in compliance with the law.
- Connect the supply cable first on the back of the stove (see **Fig. 57** and) and then at a wall electric socket.



Fig. 57 - Electric socket with master switch



Fig. 58 - Plug connected

- Do not use extension cables.
- If the feeder cable is damaged, it must be replaced by an authorized technician.
- When the stove is not going to be used for a long period of time, it is advisable to remove the plug from the socket on the wall.
- An electrical connection to a UPS/ACCUMULATOR/ STABILISER must guarantee a voltage of at least 210 V without power surges. Considering the variety of UPS on the market regarding size and construction qualities, we cannot guarantee operation once the stove is connected to these devices.

6.19 CONNECTION TO THE EXTERNAL THERMOSTAT

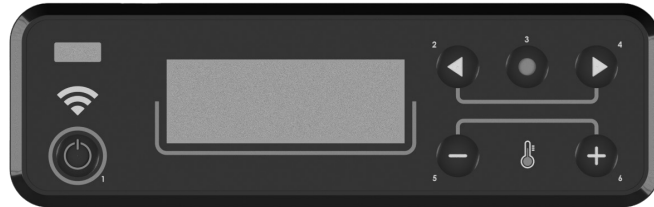


Fig. 59 - Graphic display

The stove works through a thermostat probe placed in its inner. If you desire, the stove can be connected to an external room thermostat. This operation must be executed by an authorized technician.

Connect the wires from the external thermostat to the "Term opt" terminal on the stove board. Activate the external thermostat (default setting OFF) as indicated below:

- Press the "menu" button.
- Scroll with the arrows to "Settings".
- Select by pressing "menu".
- Scroll with the arrows again to "Ext.Thermostat".
- Select by pressing "menu".
- Press the - + buttons.
- To activate the external thermostat select "on".
- Press the "menu" button to confirm.

6.20 CONNECTION TO THE EXTERNAL THERMOSTAT

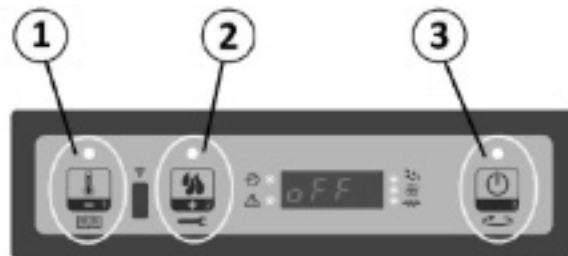


Fig. 60 - 3-key display

The stove works through a thermostat probe placed in its inner. If you desire, the stove can be connected to an external room thermostat. This operation must be executed by an authorized technician.

Connect the wires from the external thermostat to the "Term opt" terminal on the stove board. Activate the external thermostat (default setting OFF) as indicated below:

- Press the menu key for a few seconds (1).
- Repeatedly press the P2 key until **M8 - Technical settings** "M8-SEt tEChnic" appears.
- Select by pressing the P3 key.
- Set the password with keys P1 or P2 (keeping the key pressed accelerates the setting).
- Confirm by pressing the P3 key.
- Press the P1 or P2 keys until **M8 - 2 General settings** "M8-2 SEt GEnErAL" appears.
- Confirm with P3.
- Scroll with the P3 key up to: **Pr46 Enable Remote** "Pr46 rEMoto EnAbLEd".
- Press the P1 or P2 key to modify the status.
- Confirm with the P3 key.
- Scroll to **MB Output** "Mb ESCAPE" with key P1 or P2.
- Confirm with P3 key.
-

- Press P1 (temperature setting) and set **t-e** "t-E" value. The external thermostat is now enabled.

6.21 STOVE CALIBRATION AND DEPRESSION MEASUREMENT

This stove has a pickup point positioned on the tank in order to measure the depression of the combustion chamber and verify its proper operation.

To do this, proceed as follows:

- Connect a digital pressure switch with a tube to detect the negative pressure (see **Fig. 61**).
- Load the feed screw via appropriate function.
- Start the stove and set "Set flame" to power 1 (the start-up time of this stove lasts between 8 and 10 minutes to ensure minimum draught).
- Compare the read values with those on the table.
- Change power every 10 minutes and wait for it to stabilise.
- Access the user menu and, if necessary, change the parameters.



Fig. 61 - Casing removal



Fig. 62 - Digital pressure switch connection



Fig. 63 - Digital pressure switch connection

DATA	P1	P2	P3	P4	P5
Stove depression - temperature 5 kW	25/26 Pa - 190°C	29/30 Pa - 185°C	31/32 Pa - 195°C	35/36 Pa - 210°C	38/39 Pa - 220°
Stove depression - temperature 7 kW	25/26 Pa - 190°C	29/30 Pa - 200°C	34/35 Pa - 220°C	40/41 Pa - 240°C	47/48 Pa - 250°

NB: for good combustion, the depression values must be between + -5 Pa and the temperature values between + - 10°C.

7 SPECIAL MAINTENANCE

7.1 INTRODUCTION

For a long working life of the stove, have a periodic cleaning of the stove as described in the following paragraphs.

- Fume outlet pipes (fume conduit + chimney flue + chimney pot) must always be cleaned, scrubbed and checked by an authorized technician in compliance with local regulations, with the instructions of the manufacturer and those of your insurance company.
- If there are no local regulations and no instruction from your insurance company, it is necessary to have your fume pipe, chimney flue and chimney pot cleaned at least once a year.
- It is also necessary to have the combustion chamber, motors and fans cleaned and to have the gaskets and the electrical elements checked at least once a year.



All these operations must be planned in time with your Authorized Technical Assistance Service.

- After a long ineffective time, before turning on the stove check if there are obstructions in the fume exhaust.
- If the stove had been using continuously and intensely, the whole system (chimney included), must be cleaned and checked more frequently.

- In case of replacement of damaged pieces please ask for the original spare part at the Authorized Retailer.

7.2 FUME CONDUIT CLEANING

The exhaust system must be cleaned every 2/3 months.



Fig. 64 - Fume conduit cleaning

- Remove the inspection lid of the T-union (see **Fig. 64**).
- Extract the ash which has accumulated in the inner.
- After cleaning repeat the operation in reverse order, checking the condition and efficiency of the gasket, and if necessary replace it.



It is important to sealed the cap othwise noxiuous fumes will propagare among the room.

7.3 FUME CONDUIT CLEANING ROUND STOVES

The exhaust system must be cleaned every 2/3 months.

Unscrew the side screws **Fig. 65**

Unscrew the Cap stopper **Fig. 66**

- Remove the inspection lid of the T-union (see **Fig. 67**).
- Extract the ash which has accumulated in the inner.
- After cleaning repeat the operation in reverse order, checking the condition and efficiency of the gasket, and if necessary replace it.



It is important to sealed the cap othwise noxiuous fumes will propagare among the room.



Fig. 65 - Unscrew the side screws



Fig. 66 - Unscrew the Cap stopper



Fig. 67 - Unscrew

7.4 FUME PASSAGES CLEANING

Clean the fume passages every year.



Fig. 68 - Remove the screws



Fig. 69 - Remove the inspection cap

- Open the door.
- Remove the 4 screws (see **Fig. 68**) and remove the inspection cap (see **Fig. 69**).



Fig. 70 - Clean with pipe cleaner



Fig. 71 - Vacuum out the ash

- Clean with a pipe cleaner and suction any ash accumulated inside (see **Fig. 70** and **Fig. 71**).
- After cleaning, repeat the operation in reverse making sure the gasket is intact and efficient: if necessary, provide for the replacement with original spare parts.



Fig. 72 - Clean with pipe cleaner



Fig. 73 - Vacuum out the ash

- Clean with a pipe cleaner and suction any ash accumulated inside (see **Fig. 72** and **Fig. 73**).

7.5 ROOM FAN CLEANING

Clean every the year the room fan from ash or dust which can cause a blade unbalance and a greater noise.



Fig. 74 - Room fan cleaning

- Unscrew the side screws. (see dedicated chapters).
- Remove dust build-up using a brush or a vacuum cleaner (see **Fig. 74**).

7.6 FUME PIPES ANNUAL CLEANING

Clean annually from soot with brushes.

The cleaning operation must be executed by a specialized stove-repairer who will provide for the cleaning of fume pipe, chimney flue and chimney pot. He will also check their efficiency and will release a written declaration of the safety of the appliance. This operation must be executed at least once a year.

7.7 GASKET REPLACEMENT

In case of deterioration of fire door, hopper or fume chamber gaskets, it is necessary to replace them by an authorized technician in order to guarantee the good running of the stove.



Use exclusively original spare parts.

8 IN CASE OF ANOMALY

















8.1 PROBLEM SOLVING

















Before of every Authorized Technician intervention, the same Technician has the duty to check if the parameters of the mother board correspond to those of the table you own.



In case of doubts regarding the use of the stove, please contact ALWAYS the Authorized Technician on order to avoi irreparable damages!

PROBLEM	CAUSE	SOLUTION	INTERVENTION
The control display does not switch on	The stove is without power supply	Check if the plug is connected.	
	Burned protection fuse in the electric socket	Replace the protection fuses in the electric socket (3.15A-250V).	
	Faulty control display	Replace the control display.	
	Faulty flat cable	Replace the flat cable.	
	Faulty electronic board	Replace the mother board.	
Pellets do not reach the combustion chamber	Empty hopper	Full the hopper.	
	Open fire door or open pellet door	Close fire door and pellet door and check that there are no pellet grains at the gasket level.	
	Clogged stove	Fume chamber cleaning	
	Auger blocked by a foreign object (for example nails)	Clean the auger.	
	The auger geared motor is out of order	Replace the geared motor.	
	Check if on the display there is an "ACTIVE ALARM"	Have the stove checked.	
The fire extinguish and the stove stops	Empty hopper	Full the hopper.	
	Auger blocked by a foreign object (for example nails)	Clean the auger.	
	Bad quality pellets	Try other types of pellets.	
	Pellet drop value too low "phase 1"	Adjust the pellet loading.	
	Check if on the display there is an "ACTIVE ALARM"	Have the stove checked.	

PROBLEM	CAUSE	SOLUTION	INTERVENTION
Flames are weak and orange coloured, pellets do not burn properly and the glass blackens	Not sufficient combustion air	Check as following: probable obstructions of the combustible air inlet from the back or from the bottom of the stove; burning pot obstructed holes with too ash remains. Have the fan blades and auger cleaned. (see SMOKE RPM VARIATION User Manual)	
	Obstructed exhaust	The exhaust chimney is partially or totally obstructed. Contact an expert stove-repairer who checks the stove from the exhaust up to the chimney pot. Provide immediately for stove cleaning.	
	Obstructed stove	Provide immediately at the inner cleaning of the stove.	
	The fume fan is out of order	The pellets can burn also thanks to chimney flue depression without the aid of the fume fan. Have the fume fan immediately replaced. It can be noxious to health to let the stove running without fume fan.	
The exchanger fan continues to turn even though the stove has just cooled	Faulty fume temperature probe	Replace the fume probe.	
	Faulty mother board	Replace the mother board.	
Ash remains along the stove	Faulty or out of order door gaskets	Replace the gaskets.	
	Not sealed fume pipes	Contact an expert stove-repairer who will immediately provide for sealing the junctions with high-temperature silicone and/or for replacing pipes with those in compliance to current regulations. A not sealed fume channelisation can be noxious to health.	
The stove is at its highest power but does not heat up.	Ambient temperature reached.	The stove is at its minimum value. Increase the desired ambient temperature.	
Stove running and display showing "Smoke Overtemperature"	Reached fume outlet limit temperature	The stove runs at minimum. NO PROBLEM!	
The stove's smoke duct produces condensation	Low smoke temperature	Check that the flue is not clogged.	
		Increase stove power to minimum (pellet drop and fan revs).	
		Install condensation collection cup.	
Stove running and display showing "SERVICE"	Routine maintenance alert (it does not block the system)	When this flashing message appears upon start-up, it means that the preset operating hours have elapsed before maintenance. Contact the service centre.	

9 TECHNICAL DATAS

9.1 REPAIR INFORMATION

Now we give some instructions for the Authorized Technician to take into consideration to have access to stove mechanical components.

- For fuse replacement in the electric socket which stands on the back of the stove, extract the fuses to change with the aid of a screwdriver for opening the shutter (see **Fig. 75**).



Fig. 75 - Shutter with fuses to remove

Proceed as follows:

- Remove the frame (see the dedicated chapters).
- After these operations you can have access at the following components: geared motor, ignition plug, ambient fan, fume fan, ambient probe, fume probe, thermostat, electronic board, pressostat.
- For cleaning or replacement of the auger it is necessary to unscrew the three bolts of the geared motor and to extract it, unscrew the two screws lying under the geared motor (vedi **Fig. 76**), of the auger, remove the hand rejector inside the hopper and then unscrew the inner bolt of the auger. (vedi **Fig. 77**). To assembly proceed at the contrary.



Fig. 76 - Remove the screws



Fig. 77 - Remove the screw

10 FEATURES

DESCRIPTION	LORD 7	SWEET ³ 7	PERLA ³ 7
WIDTH	45,2 cm	47 cm	52,1 cm
DEPTH	45,7 cm	45,2 cm	45,6 cm
HEIGHT	90,7 cm	95 cm	93,8 cm
WEIGHT	55 kg	56 kg	60 - 67 kg
INTRODUCED THERMIC POWER (Min/Max)	2,8 - 7,7 kW	2,8 - 7,7 kW	2,8 - 7,7 kW
NOMINAL THERMIC POWER (Min/Max)	2,6 - 7 kW	2,6 - 7 kW	2,6 - 7 kW
EFICIENCY (Min/Max)	92 - 90 %	92 - 90 %	92 - 90 %
FUME TEMPERATURE (Min/Max)	97 - 176 °C	97 - 176 °C	97 - 176 °C
FUME MAXIMUM LOADING CAPACITY (Min/Max)	3 - 4,6 g/s	3 - 4,6 g/s	3 - 4,6 g/s
CO EMISSIONS (13% O ₂) (Min/Max)	0,0127 - 0,0034 %	0,0127 - 0,0034 %	0,0127 - 0,0034 %
OGC EMISSIONS (13% O ₂) (Min/Max)	2 - 1 mg/Nm ³	2 - 1 mg/Nm ³	2 - 1 mg/Nm ³
NO _x EMISSIONS (13% O ₂) (Max)	137 - 117 mg/Nm ³	137 - 117 mg/Nm ³	137 - 117 mg/Nm ³
Medium CO CONTENTS at 13% O ₂ (Min/Max)	158 - 42 mg/Nm ³	158 - 42 mg/Nm ³	158 - 42 mg/Nm ³
Medium POWDER CONTENTS at 13% O ₂ (Max)	18 - 15 mg/Nm ³	18 - 15 mg/Nm ³	18 - 15 mg/Nm ³
CHIMNEY DEPRESSION (Max)	10 Pa	10 Pa	10 Pa
ON SHARED CHIMNEY FLUE	NO	NO	NO
FUME OUTLET DIAMETER	Ø80 mm	Ø80 mm	Ø80 mm
COMBUSTIBLE	Pellet Ø6-7 mm	Pellet Ø6-7 mm	Pellet Ø6-7 mm
PELLETS HEATING VALUE	5 kWh/kg	5 kWh/kg	5 kWh/kg
PELLETS HUMIDITY	≤ 10%	≤ 10%	≤ 10%
HEATING VOLUME 18/20°C Coeff. 0,045 kW (Min/Max)	71 - 200 m ³	71 - 200 m ³	71 - 200 m ³
HOURLY CONSUMPTION (Min/Max)	0,56 - 1,65 kg/h	0,56 - 1,65 kg/h	0,56 - 1,65 kg/h
HOPPER CAPACITY	15 kg	15 kg	15 kg
RANGE (Min/Max)	26,8 - 9,1 h	26,8 - 9,1 h	26,8 - 9,1 h
SUPPLY	230 V - 50 Hz	230 V - 50 Hz	230 V - 50 Hz
POWER INPUT (Max)	345 W	345 W	345 W
IGNITER RESISTANCE POWER INPUT	300 W	300 W	300 W
MINIMUM EXTERNAL AIR INLET (last effective area)	80 cm ²	80 cm ²	80 cm ²
STOVE WITH SEALED CHAMBER	YES	YES	YES
EXTERNAL AIR INLET FOR SEALED CHAMBER	60 mm	60 mm	60 mm
DISTANCE FROM COMBUSTIBLE MATERIAL (back/side/bottom)	200 / 300 / 0 mm	200 / 300 / 0 mm	200 / 300 / 0 mm
DISTANCE FROM COMBUSTIBLE MATERIAL (ceiling/front)	- / 1000 mm	- / 1000 mm	- / 1000 mm

DESCRIPTION	LORD 7.0	SWEET ³ 7.0	PERLA ³ 7.0
WIDTH	45,2 cm	47 cm	52,1 cm
DEPTH	45,7 cm	45,2 cm	45,6 cm
HEIGHT	90,7 cm	95 cm	93,8 cm
WEIGHT	55 kg	56 kg	60 - 67 kg
INTRODUCED THERMIC POWER (Min/Max)	2,8 - 7,7 kW	2,8 - 7,7 kW	2,8 - 7,7 kW
NOMINAL THERMIC POWER (Min/Max)	2,5 - 7 kW	2,5 - 7 kW	2,5 - 7 kW
EFICIENCY (Min/Max)	91 - 90 %	91 - 90 %	91 - 90 %
FUME TEMPERATURE (Min/Max)	104 - 176 °C	104 - 176 °C	104 - 176 °C
FUME MAXIMUM LOADING CAPACITY (Min/Max)	2,6 - 4,6 g/s	2,6 - 4,6 g/s	2,6 - 4,6 g/s
CO EMISSIONS (13% O ₂) (Min/Max)	0,019 - 0,0034 %	0,019 - 0,0034 %	0,019 - 0,0034 %
OGC EMISSIONS (13% O ₂) (Min/Max)	4 - 1 mg/Nm ³	4 - 1 mg/Nm ³	4 - 1 mg/Nm ³
NO _x EMISSIONS (13% O ₂) (Max)	140 - 117 mg/Nm ³	140 - 117 mg/Nm ³	140 - 117 mg/Nm ³
Medium CO CONTENTS at 13% O ₂ (Min/Max)	238 - 42 mg/Nm ³	238 - 42 mg/Nm ³	238 - 42 mg/Nm ³
Medium POWDER CONTENTS at 13% O ₂ (Max)	20 - 15 mg/Nm ³	20 - 15 mg/Nm ³	20 - 15 mg/Nm ³
CHIMNEY DEPRESSION (Max)	10 Pa	10 Pa	10 Pa
ON SHARED CHIMNEY FLUE	NO	NO	NO
FUME OUTLET DIAMETER	Ø80 mm	Ø80 mm	Ø80 mm
COMBUSTIBLE	Pellet Ø6-7 mm	Pellet Ø6-7 mm	Pellet Ø6-7 mm
PELLETS HEATING VALUE	5 kWh/kg	5 kWh/kg	5 kWh/kg
PELLETS HUMIDITY	≤ 10%	≤ 10%	≤ 10%
HEATING VOLUME 18/20°C Coeff. 0,045 kW (Min/Max)	71 - 200 m ³	71 - 200 m ³	71 - 200 m ³
HOURLY CONSUMPTION (Min/Max)	0,6 - 1,7 kg/h	0,6 - 1,7 kg/h	0,6 - 1,7 kg/h
HOPPER CAPACITY	15 kg	15 kg	15 kg
RANGE (Min/Max)	25 - 8,8 h	25 - 8,8 h	25 - 8,8 h
SUPPLY	230 V - 50 Hz	230 V - 50 Hz	230 V - 50 Hz
POWER INPUT (Max)	345 W	345 W	345 W
IGNITER RESISTANCE POWER INPUT	300 W	300 W	300 W
MINIMUM EXTERNAL AIR INLET (last effective area)	80 cm ²	80 cm ²	80 cm ²
STOVE WITH SEALED CHAMBER	YES	YES	YES
EXTERNAL AIR INLET FOR SEALED CHAMBER	60 mm	60 mm	60 mm
DISTANCE FROM COMBUSTIBLE MATERIAL (back/side/bottom)	200 / 300 / 0 mm	200 / 300 / 0 mm	200 / 300 / 0 mm
DISTANCE FROM COMBUSTIBLE MATERIAL (ceiling/front)	- / 1000 mm	- / 1000 mm	- / 1000 mm

DESCRIPTION	CRISTAL ³ 7	CRISTAL ³ 7.0
WIDTH	47,7 cm	47,7 cm
DEPTH	45,4 cm	45,4 cm
HEIGHT	91 cm	91 cm
WEIGHT	56 kg	56 kg
INTRODUCED THERMIC POWER (Min/Max)	2,8 - 7,7 kW	2,8 - 7,7 kW
NOMINAL THERMIC POWER (Min/Max)	2,6 - 7 kW	2,5 - 7 kW
EFICIENCY (Min/Max)	92 - 90 %	91 - 90 %
FUME TEMPERATURE (Min/Max)	97 - 176 °C	104 - 176 °C
FUME MAXIMUM LOADING CAPACITY (Min/Max)	3 - 4,6 g/s	2,6 - 4,6 g/s
CO EMISSIONS (13% O ₂) (Min/Max)	0,0127 - 0,0034 %	0,019 - 0,0034 %
OGC EMISSIONS (13% O ₂) (Min/Max)	2 - 1 mg/Nm ³	4 - 1 mg/Nm ³
NO _x EMISSIONS (13% O ₂) (Max)	137 - 117 mg/Nm ³	140 - 117 mg/Nm ³
Medium CO CONTENTS at 13% O ₂ (Min/Max)	158 - 42 mg/Nm ³	238 - 42 mg/Nm ³
Medium POWDER CONTENTS at 13% O ₂ (Max)	18 - 15 mg/Nm ³	20 - 15 mg/Nm ³
CHIMNEY DEPRESSION (Max)	10 Pa	10 Pa
ON SHARED CHIMNEY FLUE	NO	NO
FUME OUTLET DIAMETER	Ø80 mm	Ø80 mm
COMBUSTIBLE	Pellet Ø6-7 mm	Pellet Ø6-7 mm
PELLETS HEATING VALUE	5 kWh/kg	5 kWh/kg
PELLETS HUMIDITY	≤ 10%	≤ 10%
HEATING VOLUME 18/20°C Coeff. 0,045 kW (Min/Max)	71 - 200 m ³	71 - 200 m ³
HOURLY CONSUMPTION (Min/Max)	0,56 - 1,65 kg/h	0,6 - 1,7 kg/h
HOPPER CAPACITY	15 kg	15 kg
RANGE (Min/Max)	26,8 - 9,1 h	25 - 8,8 h
SUPPLY	230 V - 50 Hz	230 V - 50 Hz
POWER INPUT (Max)	345 W	345 W
IGNITER RESISTANCE POWER INPUT	300 W	300 W
MINIMUM EXTERNAL AIR INLET (last effective area)	80 cm ²	80 cm ²
STOVE WITH SEALED CHAMBER	YES	YES
EXTERNAL AIR INLET FOR SEALED CHAMBER	60 mm	60 mm
DISTANCE FROM COMBUSTIBLE MATERIAL (back/side/bottom)	200 / 300 / 0 mm	200 / 300 / 0 mm
DISTANCE FROM COMBUSTIBLE MATERIAL (ceiling/front)	- / 1000 mm	- / 1000 mm

DESCRIPTION	ONE AT- BEAM AT	LEE AT - SHARP AT	ACCENT AT
WIDTH	46 cm	46 cm	46 cm
DEPTH	45,2 cm	45,2 cm	45,2 cm
HEIGHT	95,2 cm	95,2 cm	98,7 cm
WEIGHT	56 kg	56 kg	59 kg
INTRODUCED THERMIC POWER (Min/Max)	2,8 - 7,7 kW	2,8 - 7,7 kW	2,8 - 7,7 kW
NOMINAL THERMIC POWER (Min/Max)	2,5 - 7 kW	2,5 - 7 kW	2,5 - 7 kW
EFICIENCY (Min/Max)	91 - 90 %	91 - 90 %	91 - 90 %
FUME TEMPERATURE (Min/Max)	104 - 176 °C	104 - 176 °C	104 - 176 °C
FUME MAXIMUM LOADING CAPACITY (Min/Max)	2,6 - 4,6 g/s	2,6 - 4,6 g/s	2,6 - 4,6 g/s
CO EMISSIONS (13% O ₂) (Min/Max)	0,019 - 0,0034 %	0,019 - 0,0034 %	0,019 - 0,0034 %
OGC EMISSIONS (13% O ₂) (Min/Max)	4 - 1 mg/Nm ³	4 - 1 mg/Nm ³	4 - 1 mg/Nm ³
NO _x EMISSIONS (13% O ₂) (Max)	140 - 117 mg/Nm ³	140 - 117 mg/Nm ³	140 - 117 mg/Nm ³
Medium CO CONTENTS at 13% O ₂ (Min/Max)	238 - 42 mg/Nm ³	238 - 42 mg/Nm ³	238 - 42 mg/Nm ³
Medium POWDER CONTENTS at 13% O ₂ (Max)	20 - 15 mg/Nm ³	20 - 15 mg/Nm ³	20 - 15 mg/Nm ³
CHIMNEY DEPRESSION (Max)	10 Pa	10 Pa	10 Pa
ON SHARED CHIMNEY FLUE	NO	NO	NO
FUME OUTLET DIAMETER	Ø80 mm	Ø80 mm	Ø80 mm
COMBUSTIBLE	Pellet Ø6-7 mm	Pellet Ø6-7 mm	Pellet Ø6-7 mm
PELLETS HEATING VALUE	5 kWh/kg	5 kWh/kg	5 kWh/kg
PELLETS HUMIDITY	≤ 10%	≤ 10%	≤ 10%
HEATING VOLUME 18/20°C Coeff. 0,045 kW (Min/Max)	71 - 200 m ³	71 - 200 m ³	71 - 200 m ³
HOURLY CONSUMPTION (Min/Max)	0,6 - 1,7 kg/h	0,6 - 1,7 kg/h	0,6 - 1,7 kg/h
HOPPER CAPACITY	15 kg	12 Kg	15 kg
RANGE (Min/Max)	25 - 8,8 h	20 - 7 h	25 - 8,8 h
SUPPLY	230 V - 50 Hz	230 V - 50 Hz	230 V - 50 Hz
POWER INPUT (Max)	345 W	345 W	345 W
INGNITER RESISTANCE POWER INPUT	300 W	300 W	300 W
MINIMUM EXTERNAL AIR INLET (last effective area)	80 cm ²	80 cm ²	80 cm ²
STOVE WITH SEALED CHAMBER	YES	YES	YES
EXTERNAL AIR INLET FOR SEALED CHAMBER	60 mm	60 mm	60 mm
DISTANCE FROM COMBUSTIBLE MATERIAL (back/side/bottom)	200 / 300 / 0 mm	200 / 300 / 0 mm	200 / 300 / 0 mm
DISTANCE FROM COMBUSTIBLE MATERIAL (ceiling/front)	- / 1000 mm	- / 1000 mm	- / 1000 mm

DESCRIPTION	SOUND3 5 UP	CHROME 5AT - ROUND5 AT	FLOYD 5.0
WIDTH	50 cm	50 cm	50 cm
DEPTH	59 cm	59 cm	59 cm
HEIGHT	95 cm	95 cm	95 cm
WEIGHT	76 kg	73 kg	65 kg
INTRODUCED THERMIC POWER (Min/Max)	2,8 - 6,1 kW	2,8 - 7,7 kW	2,8 - 7,7 kW
NOMINAL THERMIC POWER (Min/Max)	2,5 - 5,5 kW	2,5 - 5,5 kW	2,5 - 5,5 kW
EFICIENCY (Min/Max)	91 - 91 %	91 - 91 %	91 - 91 %
FUME TEMPERATURE (Min/Max)	104 - 149 °C	104 - 149 °C	104 - 149 °C
FUME MAXIMUM LOADING CAPACITY (Min/Max)	2,6 - 3,9 g/s	2,6 - 3,9 g/s	2,6 - 3,9 g/s
CO EMISSIONS (13% O ₂) (Min/Max)	0,019 - 0,011 %	0,019 - 0,011 %	0,019 - 0,011 %
OGC EMISSIONS (13% O ₂) (Min/Max)	4 - 2 mg/Nm ³	4 - 2 mg/Nm ³	4 - 2 mg/Nm ³
NO _x EMISSIONS (13% O ₂) (Max)	140 - 129 mg/Nm ³	140 - 129 mg/Nm ³	140 - 129 mg/Nm ³
Medium CO CONTENTS at 13% O ₂ (Min/Max)	238 - 140 mg/Nm ³	238 - 140 mg/Nm ³	238 - 140 mg/Nm ³
Medium POWDER CONTENTS at 13% O ₂ (Max)	20 - 15 mg/Nm ³	20 - 15 mg/Nm ³	20 - 15 mg/Nm ³
CHIMNEY DEPRESSION (Max)	10 Pa	10 Pa	10 Pa
ON SHARED CHIMNEY FLUE	NO	NO	NO
FUME OUTLET DIAMETER	Ø80 mm	Ø80 mm	Ø80 mm
COMBUSTIBLE	Pellet Ø6-7 mm	Pellet Ø6-7 mm	Pellet Ø6-7 mm
PELLETS HEATING VALUE	5 kWh/kg	5 kWh/kg	5 kWh/kg
PELLETS HUMIDITY	≤ 10%	≤ 10%	≤ 10%
HEATING VOLUME 18/20°C Coeff. 0,045 kW (Min/Max)	71 - 157 m ³	71 - 157 m ³	71 - 157 m ³
HOURLY CONSUMPTION (Min/Max)	0,6 - 1,3 kg/h	0,6 - 1,3 kg/h	0,6 - 1,3 kg/h
HOPPER CAPACITY	11 kg	11 kg	11 kg
RANGE (Min/Max)	18 - 8,5 h	18 - 8,5 h	18 - 8,5 h
SUPPLY	230 V - 50 Hz	230 V - 50 Hz	230 V - 50 Hz
POWER INPUT (Max)	345 W	345 W	345 W
INGNITER RESISTANCE POWER INPUT	300 W	300 W	300 W
MINIMUM EXTERNAL AIR INLET (last effective area)	80 cm ²	80 cm ²	80 cm ²
STOVE WITH SEALED CHAMBER	YES	YES	YES
EXTERNAL AIR INLET FOR SEALED CHAMBER	60 mm	60 mm	60 mm
DISTANCE FROM COMBUSTIBLE MATERIAL (back/side/bottom)	200 / 300 / 0 mm	200 / 300 / 0 mm	200 / 300 / 0 mm
DISTANCE FROM COMBUSTIBLE MATERIAL (ceiling/front)	- / 1000 mm	- / 1000 mm	- / 1000 mm

DESCRIPTION	SOUND3 7 UP	CHROME/ROUND - 7AT	FLOYD 7.0
WIDTH	50 cm	50 cm	50 cm
DEPTH	59 cm	59 cm	59 cm
HEIGHT	95 cm	95 cm	95 cm
WEIGHT	76 kg	73 kg	65 kg
INTRODUCED THERMIC POWER (Min/Max)	2,8 - 7,7 kW	2,8 - 7,7 kW	2,8 - 7,7 kW
NOMINAL THERMIC POWER (Min/Max)	2,5 - 7 kW	2,5 - 7 kW	2,5 - 7 kW
EFICIENCY (Min/Max)	91 - 90 %	91 - 90 %	91 - 90 %
FUME TEMPERATURE (Min/Max)	104 - 176 °C	104 - 176 °C	104 - 176 °C
FUME MAXIMUM LOADING CAPACITY (Min/Max)	2,6 - 4,6 g/s	2,6 - 4,6 g/s	2,6 - 4,6 g/s
CO EMISSIONS (13% O ₂) (Min/Max)	0,019 - 0,0034 %	0,019 - 0,0034 %	0,019 - 0,0034 %
OGC EMISSIONS (13% O ₂) (Min/Max)	4 - 1 mg/Nm ³	4 - 1 mg/Nm ³	4 - 1 mg/Nm ³
NO _x EMISSIONS (13% O ₂) (Max)	140 - 117 mg/Nm ³	140 - 117 mg/Nm ³	140 - 117 mg/Nm ³
Medium CO CONTENTS at 13% O ₂ (Min/Max)	238 - 42 mg/Nm ³	238 - 42 mg/Nm ³	238 - 42 mg/Nm ³
Medium POWDER CONTENTS at 13% O ₂ (Max)	20 - 15 mg/Nm ³	20 - 15 mg/Nm ³	20 - 15 mg/Nm ³
CHIMNEY DEPRESSION (Max)	10 Pa	10 Pa	10 Pa
ON SHARED CHIMNEY FLUE	NO	NO	NO
FUME OUTLET DIAMETER	Ø80 mm	Ø80 mm	Ø80 mm
COMBUSTIBLE	Pellet Ø6-7 mm	Pellet Ø6-7 mm	Pellet Ø6-7 mm
PELLETS HEATING VALUE	5 kWh/kg	5 kWh/kg	5 kWh/kg
PELLETS HUMIDITY	≤ 10%	≤ 10%	≤ 10%
HEATING VOLUME 18/20°C Coeff. 0,045 kW (Min/Max)	71 - 200 m ³	71 - 200 m ³	71 - 200 m ³
HOURLY CONSUMPTION (Min/Max)	0,6 - 1,7 kg/h	0,6 - 1,7 kg/h	0,6 - 1,7 kg/h
HOPPER CAPACITY	11 kg	11 kg	11 kg
RANGE (Min/Max)	18 - 6,5 h	20 - 7 h	25 - 8,8 h
SUPPLY	230 V - 50 Hz	230 V - 50 Hz	230 V - 50 Hz
POWER INPUT (Max)	345 W	345 W	345 W
INGNITER RESISTANCE POWER INPUT	300 W	300 W	300 W
MINIMUM EXTERNAL AIR INLET (last effective area)	80 cm ²	80 cm ²	80 cm ²
STOVE WITH SEALED CHAMBER	YES	YES	YES
EXTERNAL AIR INLET FOR SEALED CHAMBER	60 mm	60 mm	60 mm
DISTANCE FROM COMBUSTIBLE MATERIAL (back/side/bottom)	200 / 300 / 0 mm	200 / 300 / 0 mm	200 / 300 / 0 mm
DISTANCE FROM COMBUSTIBLE MATERIAL (ceiling/front)	- / 1000 mm	- / 1000 mm	- / 1000 mm

NOTE

Lined writing area consisting of 18 horizontal lines.



89022063B

Rev. 02 - 2022

CADEL srl
31025 S. Lucia di Piave - TV
Via Foresto sud, 7 - Italy
Tel. +39.0438.738669
Fax +39.0438.73343

www.cadelsrl.com
www.free-point.it
www.pegasoheating.com