

INSTALLER MANUAL

Pellet Stove








©2023 CADEL srl | All rights reserved - Tutti i diritti riservati

PRINCE 11 - KOBE 11 - FENICE 11
PRINCE PLUS 11 - KOBE PLUS 11 - FENICE PLUS 11
INDACO 11 - GO 11 - ECLIPSE 11

SUMMARY

1	MANUAL SIMBOLOGY	3
2	PACKAGING AND HANDLING	3
2.1	PACKAGING	3
2.2	REMOVING THE STOVE FROM THE PALLET	3
2.3	STOVE HANDLING.....	4
3	CHIMNEY FLUE	4
3.1	PREPARING THE SMOKE EXPULSION SYSTEM.....	4
3.2	CHIMNEY COMPONENTS	4
3.3	SMOKE DUCT (SMOKE FITTING).....	5
3.4	FLUE (CHIMNEY OR PIPED DUCT)	5
3.5	CHIMNEY POT.....	6
3.6	MAINTENANCE.....	7
4	COMBUSTION AIR	7
4.1	AIR INLET	7
4.2	COMBUSTIBLE AIR INLET FOR SEALED-CHAMBER INSTALLATION	8
5	EXAMPLES OF INSTALLATION (DIAMETERS AND LENGTHS TO BE SIZED)	9
6	INSTALLATION	10
6.1	INTRODUCTION	10
6.2	MINIMUM DISTANCES.....	11
6.3	OVERALL DIMENSIONS	12
6.4	REMOVAL/ASSEMBLY OF SIDE PANELS (PRINCE 11 - PRINCE PLUS 11).....	15
6.5	REMOVAL/ASSEMBLY OF THE FRAME (PRINCE 11 - PRINCE PLUS 11).....	16
6.6	REMOVAL/ASSEMBLY OF SIDE PANELS (FENICE 11 - FENICE PLUS 11)	16
6.7	REMOVAL/ASSEMBLY OF LOWER FRONT PANEL (FENICE 11 - FENICE PLUS 11)	17
6.8	REMOVAL/ASSEMBLY OF SIDE PANELS (KOBE 11 - KOBE PLUS 11).....	17
6.9	REMOVAL/ASSEMBLY OF THE FRAME (KOBE 11 - KOBE PLUS 11)	17
6.10	1.2 REMOVAL/ASSEMBLY OF SIDE PANELS (INDACO 11)	18
6.11	REMOVAL/ASSEMBLY OF THE FRAME (GO 11).....	19
6.12	REMOVAL/ASSEMBLY OF SIDE PANELS (ECLIPSE 11)	19
6.13	REMOVAL/ASSEMBLY OF THE FRAME (ECLIPSE 11).....	19
6.14	REAR OR UPPER FUME EXHAUST	20
6.15	CONCENTRIC PIPE-KIT ASSEMBLY.....	21
6.16	HOT HAIR DUCTING (ONLY VALID FOR DUCTED STOVES)	22
6.16.1	DUCTING SOLUTIONS:.....	22
6.17	DUCTING DATA	24
6.18	ELECTRIC CONNECTION	24
6.19	CONNECTION TO THE EXTERNAL THERMOSTAT	25
6.20	STOVE CALIBRATION AND DEPRESSION MEASUREMENT	25
6.21	ROOM PROBE	26
7	SPECIAL MAINTENANCE	26
7.1	INTRODUCTION	26
7.2	FUME CHAMBER CLEANING	27
7.3	FUME CONDUIT CLEANING.....	27
7.4	FUME PASSAGE CLEANING.....	28
7.5	FUME FAN CLEANING	29
7.6	ROOM FAN CLEANING	29
8	IN CASE OF ANOMALY	30
8.1	PROBLEM SOLVING	30
9	TECHNICAL DATAS	32
9.1	REPAIR INFORMATION	32

1 MANUAL SIMBOLOGY

	USER
	AUTHORISED TECHNICIAN (ONLY to interpret or the Stove-manufacturer or the Authorized Technician of Technical Assistance Service approved by the Stove-manufacturer)
	SPECIALIZED STOVE-REPAIRER
	CAUTION: READ CAREFULLY THE NOTE
	CAUTION: DANGER OR IRREVERSIBLE DAMAGE POSSIBILITY

- The icons with the stylized figures indicates whom the subject dealt in the paragraph is addressed to (between the User and/or the Authorized Technician and/or the Specialized Stove-repairer).
- WARNING symbols indicates an important note.

2 PACKAGING AND HANDLING

2.1 PACKAGING

- The packaging is made up of recyclable cardboard boxes according to RESY standards, recyclable expanded polystyrene inserts and wooden pallets.
- All packaging materials can be re-used for a similar use or eventually discharged as waste assimilable to the municipal solid ones, in accordance with current regulations.
- After having removed the packaging please assure you about the integrity of the product.

2.2 REMOVING THE STOVE FROM THE PALLET

Proceed as follows:

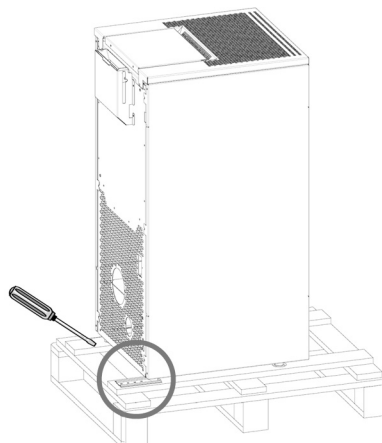


Fig. 1 - Bracket removal

- Remove the brackets which secure the feet of the stove (see **Fig. 1**). Then remove the stove from the pallet.

2.3 STOVE HANDLING

Both whether the stove is packed or not it is necessary to observe the following instructions for handling and transporting the stove from its sale point to its installation point and for any future movements:

- The stove must be handled with idoneous means paying attention to the existing safety regulations;
- do not turn the stove upside down and/or upset it on one side, but keep it in vertical position or as accorded with the constructor instructions;
- if the stove is made up of ceramic, stone, glass or any particularly fragile material components, all must be moved with the utmost care.

3 CHIMNEY FLUE

3.1 PREPARING THE SMOKE EXPULSION SYSTEM

The combustion product expulsion system is a particularly important element for the proper operation of the appliance and must be correctly sized according to EN 13384-1.

Its creation/adaptation/verification must always be carried out by a legally qualified operator and must comply with the regulations in force in the country where the appliance is installed.

The Manufacturer declines all liability for malfunctions caused by a badly sized and non-compliant smoke expulsion system.

3.2 CHIMNEY COMPONENTS

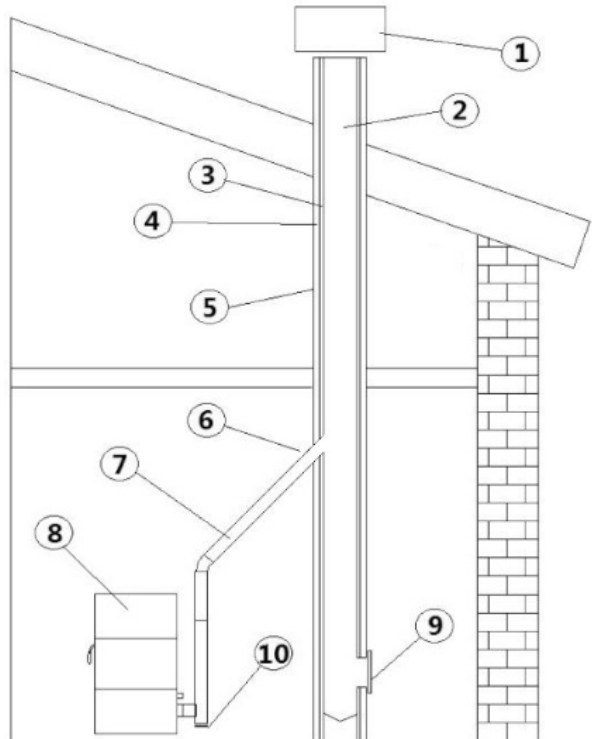


Fig. 2 - Chimney components

LEGEND	Fig. 2
1	Chimney pot
2	Fume outlet
3	Chimney flue
4	Termal insulation
5	External wall
6	Chimney union
7	Fume pipe
8	Heat generator
9	Inspection door
10	T-union with inspection plug

3.3 SMOKE DUCT (SMOKE FITTING)

The smoke duct is the pipe that connects the appliance to the flue.

This smoke fitting must comply in particular with the following requirements:

- comply with product standard EN 1856-2;
- its cross-section must be of constant diameter and no less than that of the appliance outlet, from the firebox outlet up to the connection in the flue;
- the horizontal section must be as short as possible and extend no more than 4 metres;
- the horizontal sections must have a minimum upward slope of 3%;
- changes of direction must have an angle no greater than 90° and be easy to inspect
- the number of changes of direction, including that for entry into the flue, and exclusion of the T in the event of a side or rear outlet, must not exceed 3;
- it must be insulated if it passes outside the installation room
- it must not in any case cross rooms in which it is forbidden to install combustion appliances.
- the use of flexible metal and fibre cement or aluminium hoses is forbidden;

In any case, smoke ducts must be sealed against combustion products and any condensation. For this reason, it is recommended to use pipes with silicone gaskets or similar sealing devices that withstand the operating temperatures of the appliance (e.g. T200 P1) and that by removing the gaskets, are still T400 N1 G certified.

SYSTEM TYPE	Ø80 mm PIPE	Ø100 mm PIPE
Minimum vertical length	1,5 mt	2 mt
Maximum length (with 1 union)	6,5 mt	10 mt
Maximum length (with 3 unions)	4,5 mt	8 mt
Maximum number of unions	3	3
Level section (minimum inclination 3%)	4 mt	4 mt
Installation at a height above 1200 m a.s.l.	NO	Obligatory

3.4 FLUE (CHIMNEY OR PIPED DUCT)

When creating the flue, in particular comply with the following requirements:

- comply with the applicable product standard (EN 1856, EN 1857 EN 1457, EN 1806, EN 13063..);
- be made with suitable materials to ensure resistance to normal mechanical, chemical, thermal stresses and have adequate thermal insulation in order to limit the formation of condensate;
- have a predominantly vertical configuration and be free of choke points along its entire length;
- be correctly spaced by air gaps and isolated from combustible materials;
- the flue inside the house must still be insulated and can be inserted in an air shaft provided it complies with the regulations for piping;
- the smoke duct must be connected to the flue by means of a Tee fitting with an inspectable collection chamber for the collection of soot and any condensate.
- where the sizing provides for wet operation, a suitable condensate collection and siphon discharge system must be set up.



We recommend checking the data plates of the flue for the safety distances that must be observed in the presence of combustible materials and, if necessary, the type of insulating material to be used.

It is forbidden to connect the stove to a collective or shared flue with other combustion appliances or with hood outlets.

It is forbidden to use the direct drain on the wall or towards indoor spaces and any other form of drain not provided for by the regulation in force in the country of installation.

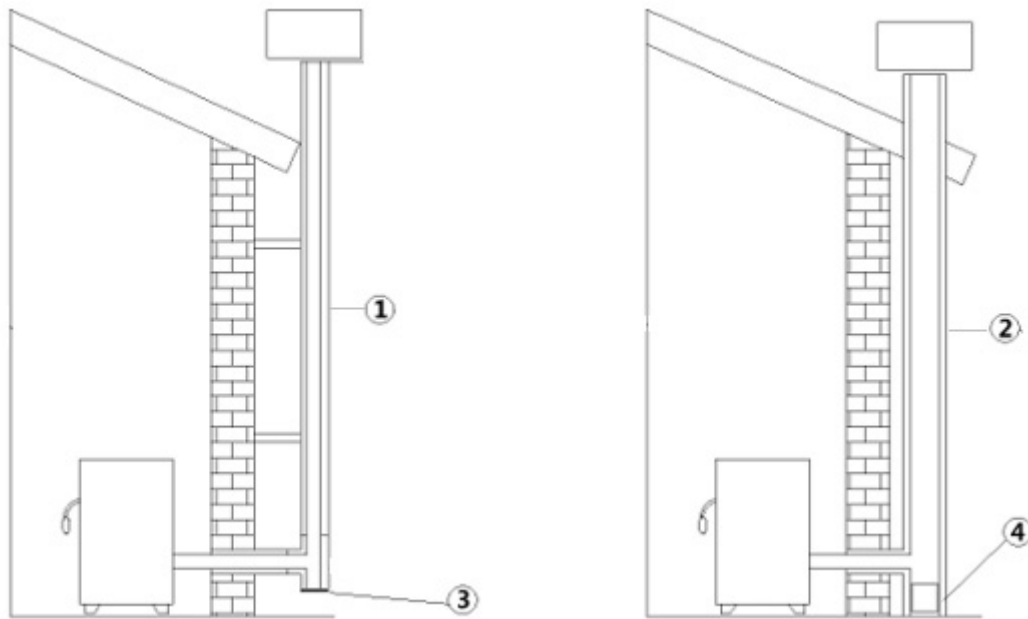


Fig. 3 - Chimney Flues

LEGEND	Fig. 3
1	Chimney flue with insulated stainless-steel pipes
2	Chimney flue on the existing chimney
3	Inspection plug
4	Inspection door

- The chimney flue must be provided CE in accordance with EN 1443 regulation. Please find attached an example of label:



Fig. 4 - Example of label

3.5 CHIMNEY POT

The chimney pot, meaning the end part of the flue, must meet the following characteristics:

- the smoke outlet section must be at least double the internal section of the chimney;
- prevent the penetration of rain or snow;
- ensure the outlet of smoke even in the event of wind (windproof chimney pot);
- the height of outflow must be beyond the reflux area (***) (refer to national regulations to identify the reflux area);
- always be built at a distance from antennas or dishes, and never be used as a support.

(***) unless there are specific national derogations (clearly specified in the corresponding instruction manual in English) which under appropriate conditions allow it; in this case, strictly follow the product/installation requirements of the relative regulations/technical specifications/legislation in force in that country.

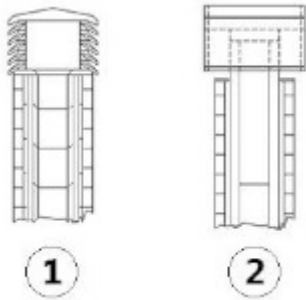


Fig. 5 - Anti-wind chimney pots

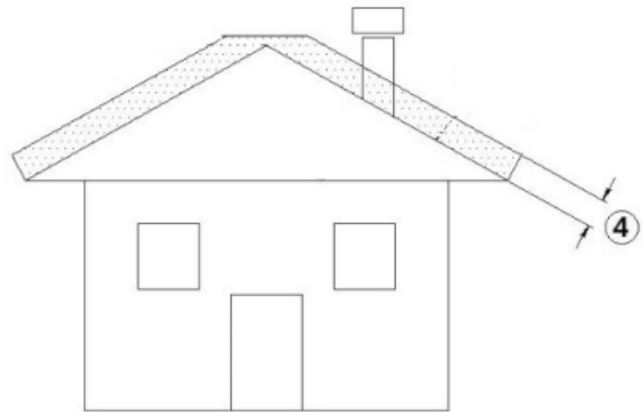


Fig. 6 - Reflux area

3.6 MAINTENANCE

- The fumes extraction pipes (fumes conduit + chimney flue + chimney pot) must always be cleaned, scrubbed and checked by an expert stove-repairer, in compliance with current regulations, with the instructions of the stove-manufacturer and the directives of your insurance company.
- In case of doubts, please follow the most restrictive regulations.
- Have your chimney flue and chimney pot checked and cleaned by an expert chimney sweep at least once a week. The chimney sweep has to release a written declaration about the security of the system.
- Not cleaning compromise safety.

4 COMBUSTION AIR

4.1 AIR INLET

It is mandatory to provide an adequate external air inlet that supplies the combustion air required for the product to work properly. The flow of air between the outside and the installation room can take place with a free air inlet or by channelling the air directly to the outside (***)

The free air inlet must be:

- be made at floor level and in any case not higher than the height of the appliance;
- always be protected with an outer grille and in such a way that it cannot be obstructed by any object;
- have a minimum total free area of 80 cm² (net of the grille);

The presence of other suction devices (e.g.: vmc, electric fan for stale air extraction, kitchen hood, other stoves, etc.), in the same room, or in communicating rooms of the same housing unit, could cause negative pressure in the room. In this case, with the exception of sealed installations, one must verify that, with all the equipment on, no more than 4 Pa of negative pressure is created inside the installation room with respect to the outside. If necessary, increase the air inlet section.

It is possible to duct the air required for combustion to the outside by connecting the external air inlet directly with the combustion air inlet which is usually found on the back of the appliance.

The external ducted air vents must be:

- made close to the floor and anyway not higher than the appliance
- protected by a grille that guarantees a clear surface equal to the cross-section of the duct and made so that it cannot be obstructed by any object
- The air vent can be made directly on a wall of the installation room communicating with the outside, or indirectly in adjacent rooms that permanently communicate with the installation room, according to that set forth by standards in force.

The duct must comply with the following dimensions (each 90° bend is equivalent to one linear metre):

(***) In the event the combustion air is ducted on unsealed products, still verify that no more than 4 Pa of negative pressure is created inside the installation room with respect to the outside, otherwise provide for an additional air intake in the room.

Below 15 kW:

Air duct diameter	Maximum length (smooth duct)	Maximum length (corrugated duct)
50 mm	2 m	1 m
60 mm	3 m	2 m
80 mm	7 m	4 m
100 mm	12 m	9 m

Above 15 kW:

Air duct diameter	Maximum length (smooth duct)	Maximum length (corrugated duct)
50 mm	-	-
60 mm	1 m	-
80 mm	3 m	1 m
100 mm	7 m	4 m

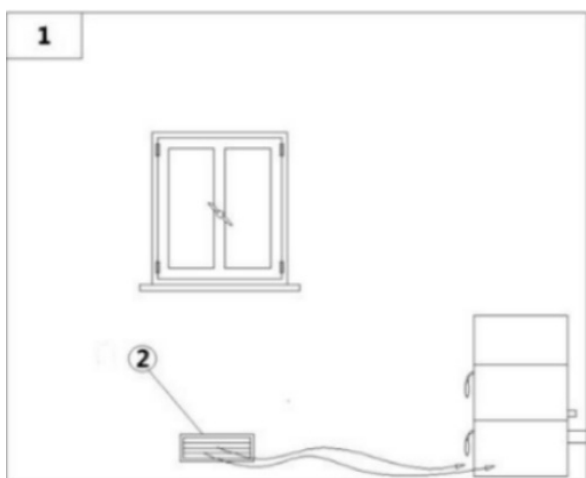


Fig. 7 - Direct air inflow

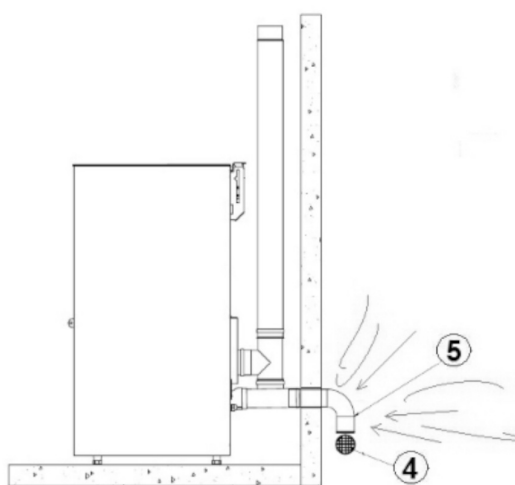


Fig. 8 - Air inlet for sealed-chamber installation

LEGEND	Fig. 7 Fig. 8
1	Room to ventilate
2	External air inlet
4	Shield grid
5	Curve inlet to turn downwards

4.2 COMBUSTIBLE AIR INLET FOR SEALED-CHAMBER INSTALLATION

How to connect to the stove in the sealed chamber with concentric system:



Fig. 9 - Phase 1

- Connect the air intake pipe to the combustion air pipe of the stove and tighten everything with a clamp (see [Fig. 9]).

5 EXAMPLES OF INSTALLATION (DIAMETERS AND LENGTHS TO BE SIZED)

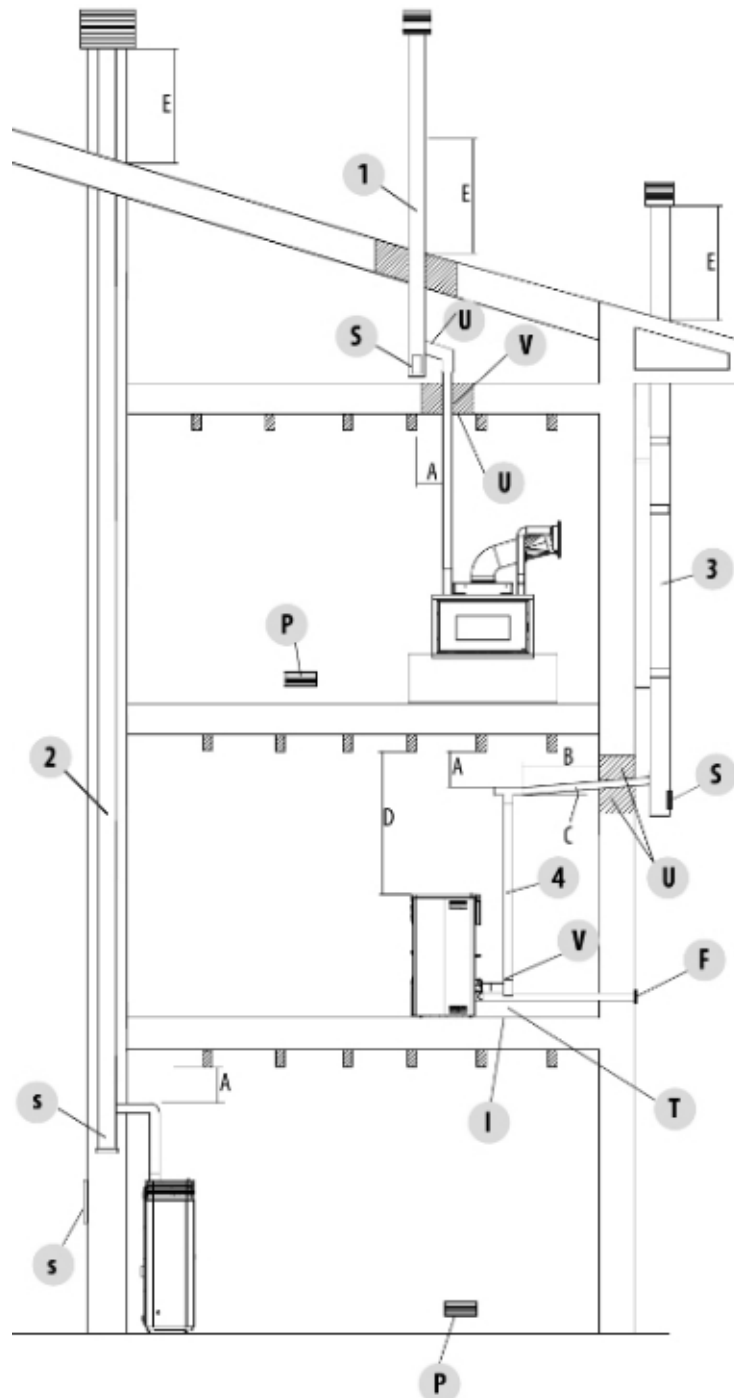


Fig. 10 - Chimney flue

- 1.** Flue installation with hole for the passage of the pipe increased by:
 minimum 100mm around the pipe if next to non-flammable parts such as cement, brick, etc.; or
 minimum 300mm around the pipe (or as required by plate data) if next to flammable parts such as wood etc.
 In both cases, install suitable insulation between the flue and the ceiling.
 Always check and comply with the plate data of the flue, specifically the minimum safety distances from combustible materials.
 The previous rules also apply for holes made in walls.
- 2.** Old flue, pipe with the inclusion of an external access door for chimney cleaning.
- 3.** External flue made of insulated stainless-steel pipes, i.e. with double walls: all securely mounted on the wall. With windproof chimney pot.
- 4.** Ducting system using Tee fittings that allow easy access for cleaning without having to remove the pipes.

LEGEND	Fig. 10
U	Insulation
V	Possible diameter increase
I	Inspection cap
S	Inspection access panel
P	Air inlet
T	T-fitting with inspection cap
A	Distance from flammable material (smoke duct plate)
B	Maximum 4 m
C	Minimum 3° slope
D	Distance from flammable material (appliance plate)
E	Reflux area
F	Air ducting



The instructions in this chapter refer explicitly to the Italian installation regulation UNI 10683. In any case, always observe the regulations in force in the country of installation.

6 INSTALLATION

6.1 INTRODUCTION

The heating system (generator + combustion air supply + combustion product expulsion system + any hydraulic/aeraulic system) must be installed in compliance with the laws and regulations in force (*), and carried out by a qualified technician, who must issue a declaration of conformity of the system to the system manager and shall undertake full responsibility for final installation and consequent good operation of the product.

The manufacturer declines all responsibility in the event of installations that do not comply with the laws and regulations in force and inappropriate use of the appliance.

In particular one must ensure that:

- the environment is suitable for installing the appliance (floor load-bearing capacity, presence or possibility of creating an adequate electrical/hydraulic/aeraulic system when required, volume compatible with the appliance characteristics, etc.);
- the appliance is connected to a smoke expulsion system correctly sized according to EN 13384-1, which is resistant to soot fire and which complies with the distances prescribed by the combustible materials indicated on the plate data;
- there is a suitable combustion air flow to the appliance;
- other combustion appliances or extraction devices installed do not cause a negative pressure of more than 4 Pa in the room where the product is installed compared to the outside (only sealed appliances are allowed a maximum of 15 Pa of negative pressure in the room).

() The national reference standard for the installation of domestic appliances is UNI 10683 (IT) - DTU NF 24.1 (FR) - DIN 18896 (DE) - NBN B 61-002 (BE) - Real Decreto 1027/2007 (ES) - Paesi Bassi (NL) Bouwbesluit - Danmark (DK) BEK n° 541 del 27/04/2020.*

In particular, it is recommended to strictly observe the safety distances from combustible materials to avoid serious harm to people and to the integrity of the home.

Installation of the appliance must ensure easy access to service the appliance itself, the smoke channels and the flue. Always maintain adequate distance and protection in order to prevent the product from coming into contact with water.

It is forbidden to install the stove in rooms with a fire hazard.

With the exception of sealed installations, it is also forbidden for liquid fuel appliances with continuous or intermittent operation that draw the combustion air from the room they are installed in or B-type gas heating appliances, with or without the production of domestic hot water, to coexist in the same room or in interconnecting rooms.



Sealed installation means that the product is certified as sealed and its installation (ducting of the combustion air and connection to the chimney) is airtight with respect to the installation environment.

A sealed installation does not consume the room's oxygen because it draws all the air from the outer environment (if suitably ducted) and makes it possible to install the product in all houses that require a high degree of insulation such as "passive" or "high energy efficiency" houses. Thanks to this technology there is no risk of smoke emissions in the room and no air inlets - hence not even the relevant ventilation grilles - are required in the installation premises. Consequently, there will be more draughts of cold air in the room, thus making it more comfortable and increasing the overall efficiency of the system. The sealed stove in a sealed installation is compatible with the presence of forced ventilation or premises that might have negative pressure with respect to the outside.

6.2 MINIMUM DISTANCES

Observe the distances from flammable objects (sofas, furniture, wood panelling, etc..) as specified in the following diagram. If objects considered to be particularly sensitive to heat are present, such as furniture, curtains or sofas, as a precaution, increase the stove clearances substantially to avoid possible deterioration due to the effect of heat.

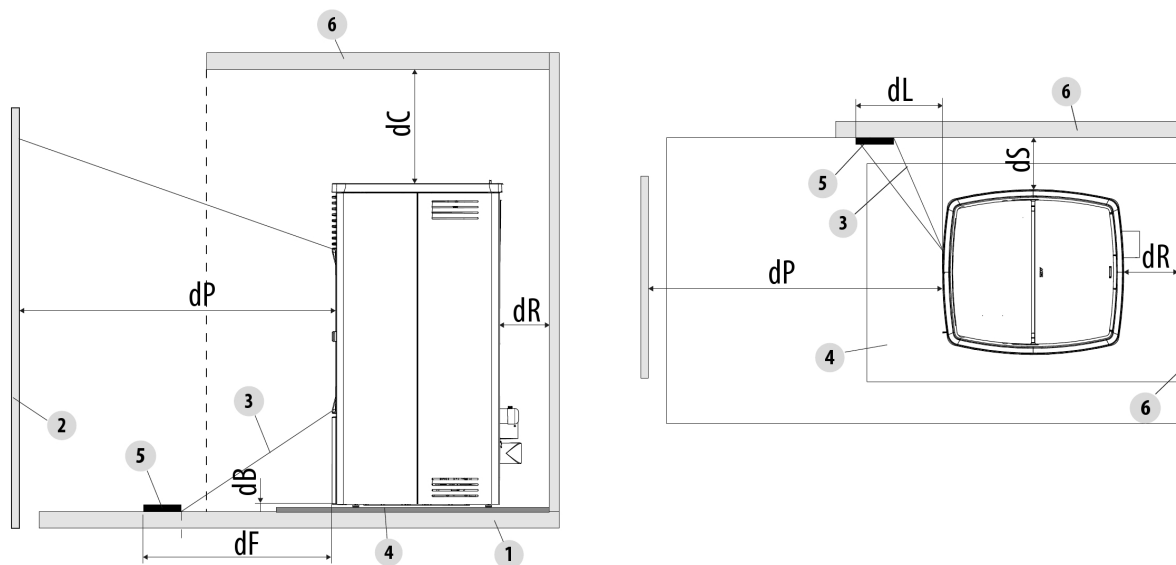


Fig. 11 - Safety distances from combustible material.

.LEGENDA	Fig. 11
dR (rear distance)	200 mm
dS (side distance)	300 mm
dB (lower distance)	0 mm
dC (upper distance)	750 mm
dP (front radiation)	1000 mm
dF (floor radiation)	1000 mm
dL (side radiation)	1000 mm
1	FLOOR
2	FRONT FLAMMABLE MATERIAL
3	AREA SUBJECT TO RADIATION
4	FLOOR GUARD
5	RADIATED SURFACE TO BE PROTECTED
6	REAR/SIDE/UPPER FLAMMABLE SURFACE

If the floor is made of combustible material, use a protection made of non-combustible material (steel, glass...) that also protects the front from any falling combusted material during cleaning operations.



Always fit a floor guard if the floor is made of flammable material.

Install the stove also detached from any non-combustible walls/surfaces, observing a minimum clearance of **200mm** (back) and **300mm** (side) to allow effective aeration of the appliance and a good distribution of heat in the room.

In any case, ensure adequate distance to facilitate access during cleaning and extraordinary maintenance. If this is not possible, it must still be possible to distance the product from adjacent walls/elements.

This operation (1*) must be performed by a technician qualified to disconnect the combustion product expulsion ducts and their subsequent restoration.

For generators connected to the hydraulic system, a connection must be provided between the system itself and the product so that, during extraordinary maintenance, carried out by a qualified technician, it is possible to move the generator 1 by at least 50 cm from adjacent walls without emptying the system (e.g. by using a double shut-off gate or suitable flexible connection).

(1*) The national reference standard for the installation of domestic appliances is UNI 10683 (IT) - DTU NF 24.1 (FR) - DIN 18896 (DE) - NBN B 61-002 (BE) - Real Decreto 1027/2007 (ES) Paesi Bassi (NL) Bouwbesluit - Danmark (DK) BEK n° 541 del 27/04/2020.

6.3 OVERALL DIMENSIONS

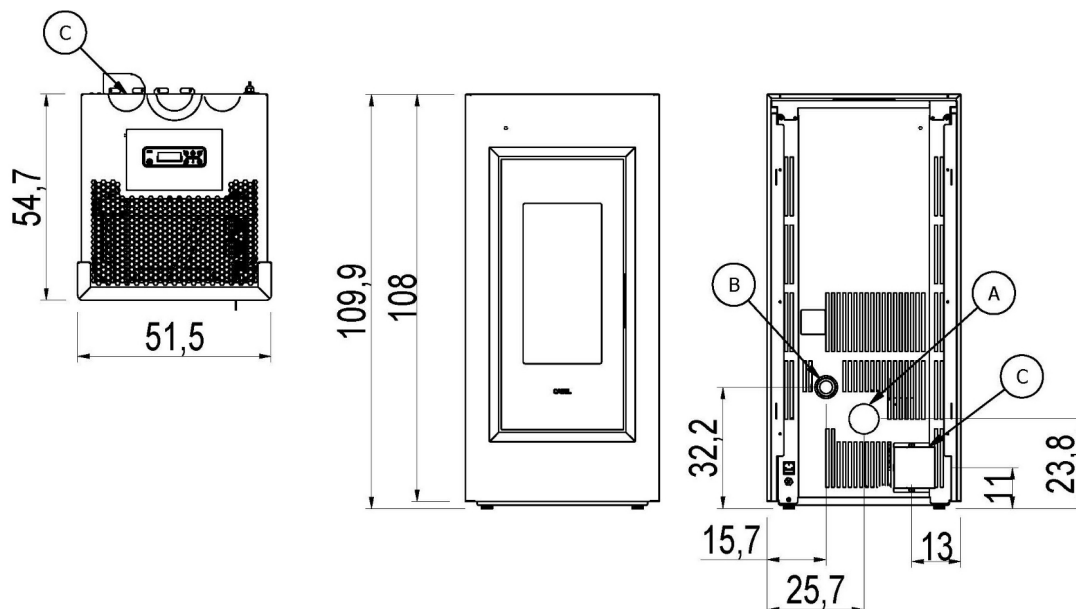


Fig. 12 - General dimensions: Prince 11 - Prince Plus 11

LEGEND	Fig. 12
A	Exhaust fumes d.8 cm
B	Hole combustion air inlet d.6 cm
C	Ducting outlet d.8 cm (PRINCE Plus 11)

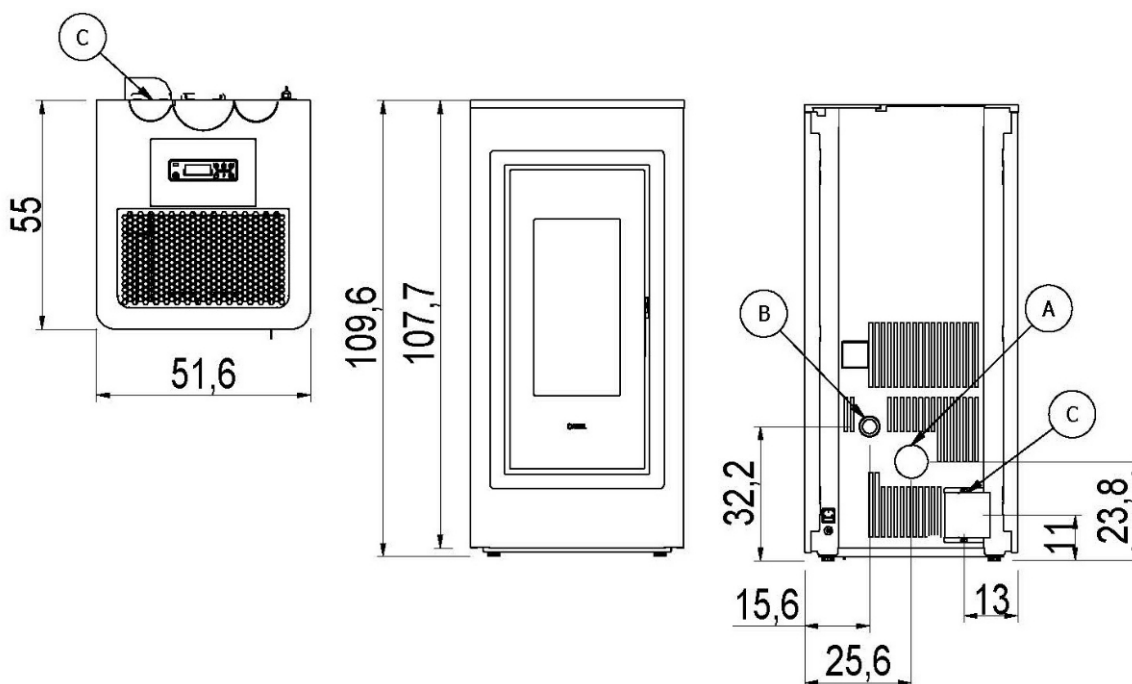


Fig. 13 - General dimensions: Kobe 11 - Kobe Plus 11

LEGEND **Fig. 13**

A	Exhaust fumes d.8 cm
B	Hole combustion air inlet d.6 cm
C	Ducting outlet d.8 cm (KOBE Plus 11)

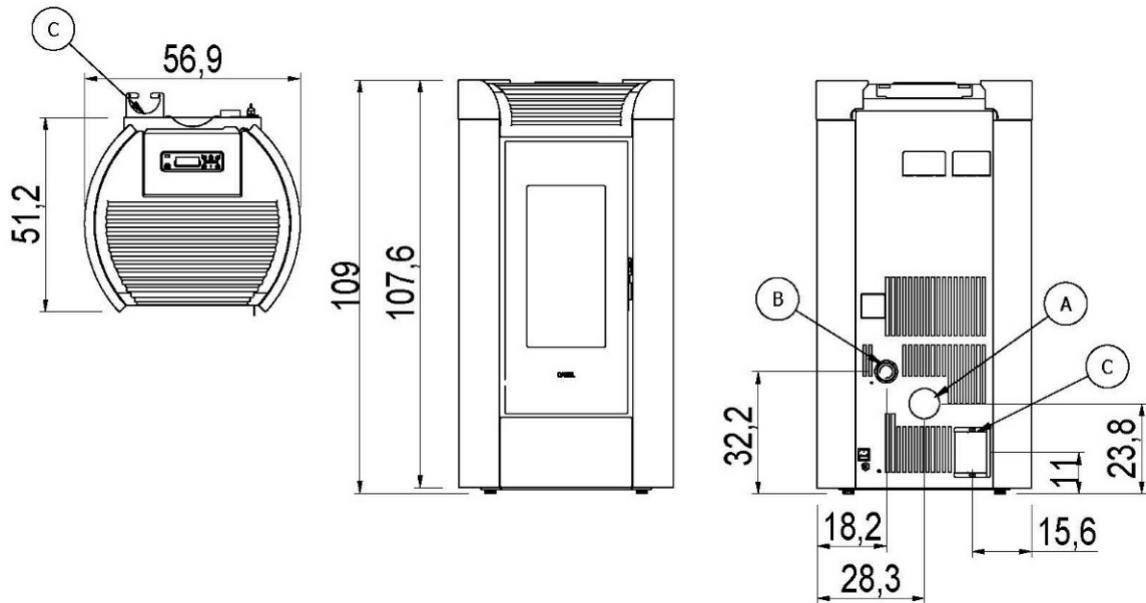


Fig. 14 - General dimensions: Fenice 11 - Fenice Plus 11

LEGEND **Fig. 14**

A	Exhaust fumes d.8 cm
B	Hole combustion air inlet d.6 cm
C	Ducting outlet d.8 cm (FENICE Plus 11)

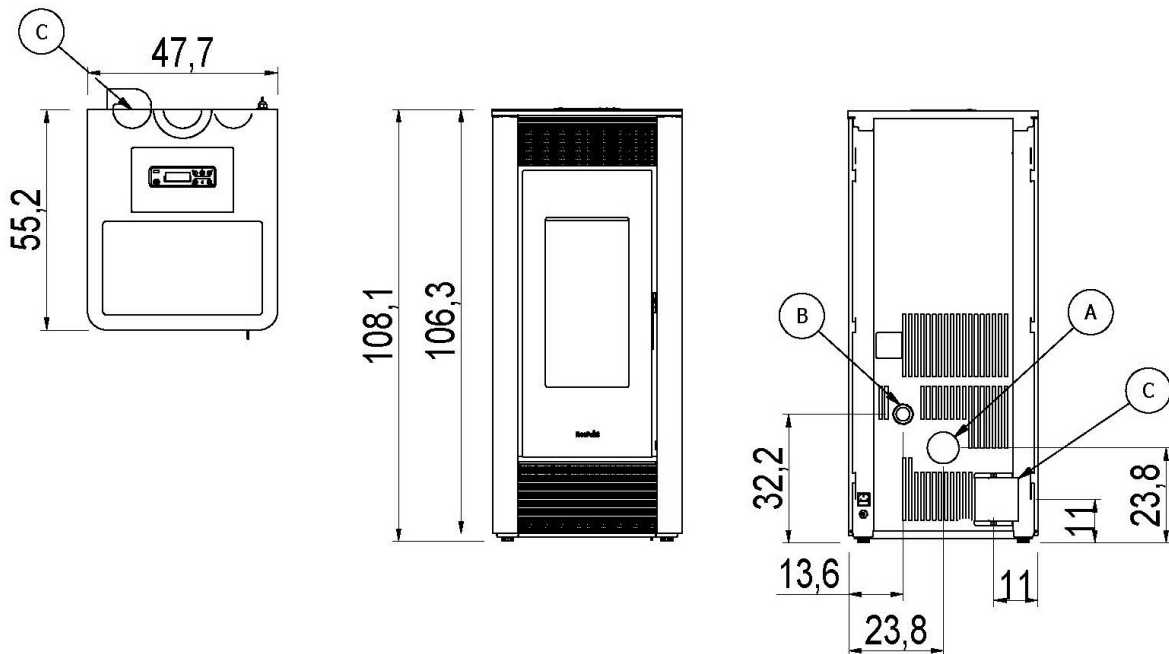


Fig. 15 - General dimensions: Indaco 11

LEGEND **Fig. 15**

A	Exhaust fumes d.8 cm
B	Hole combustion air inlet d.6 cm
C	Ducting outlet d.8 cm

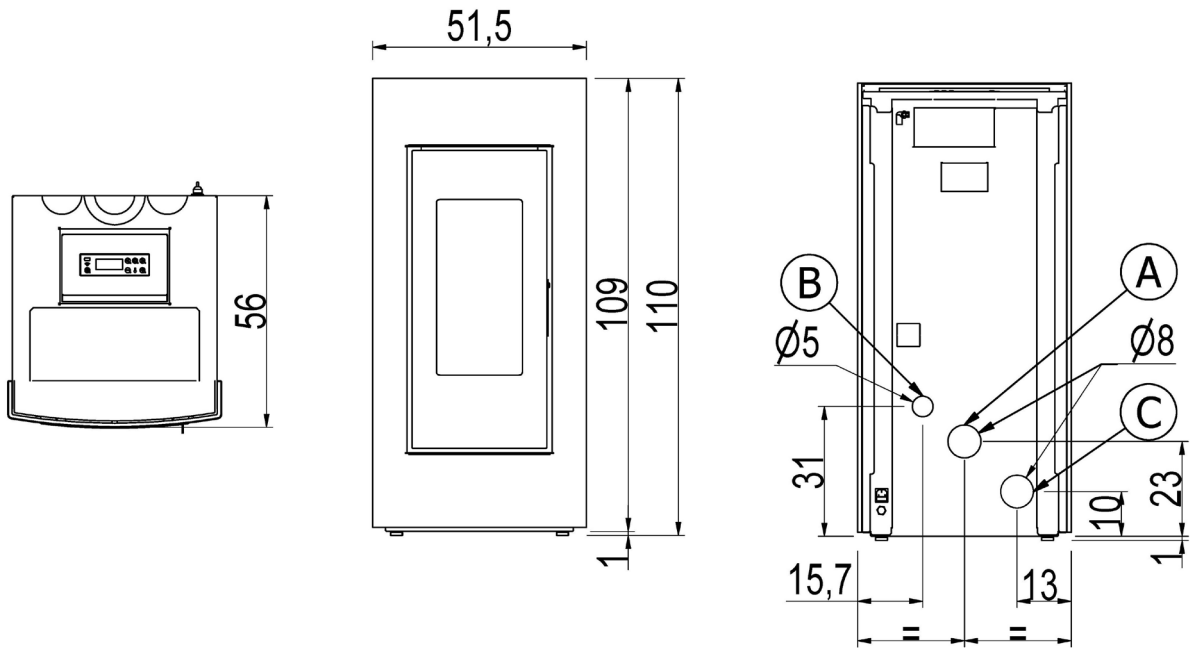


Fig. 16 - GO 11

LEGENDA Fig. 16

A	Exhaust fumes d.8 cm
B	Hole combustion air inlet d.6 cm
C	Ducting outlet d.8 cm

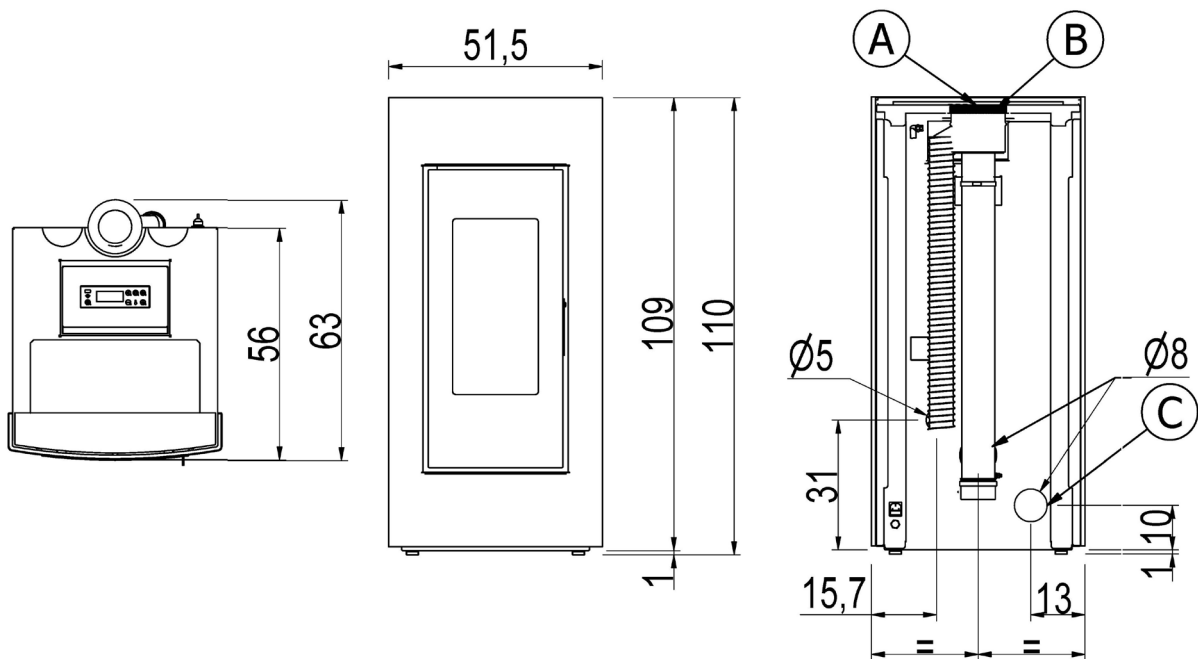


Fig. 17 - GO 11 Bi-FLUX

LEGENDA Fig. 17

A	Exhaust fumes d.8 cm
B	Hole combustion air inlet d.13 cm
C	Ducting outlet d.8 cm

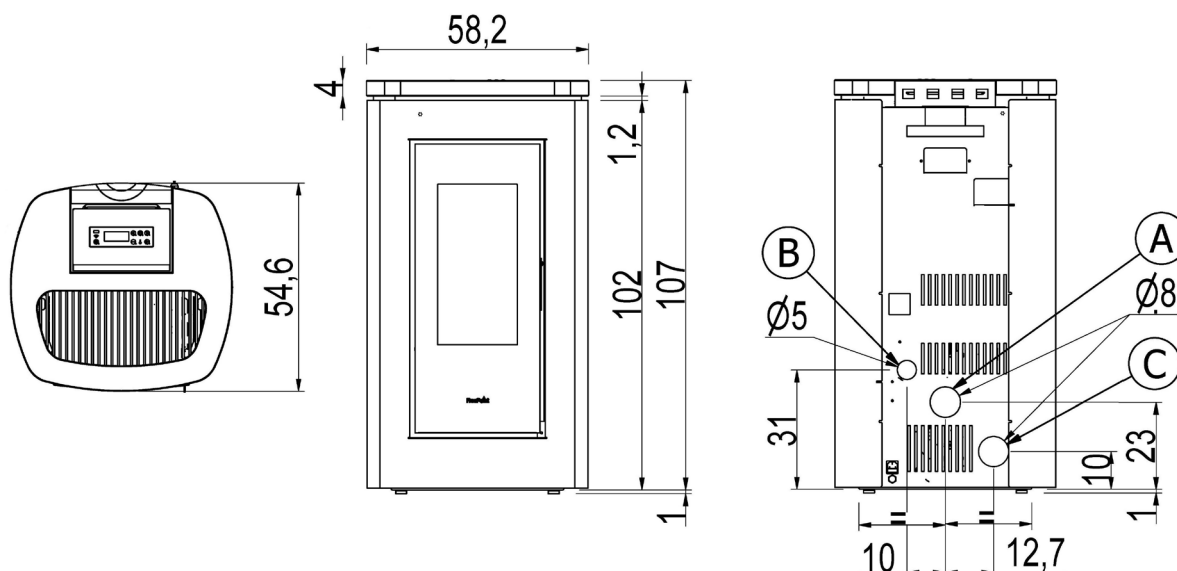


Fig. 18 - Eclipse 11

LEGENDA	Fig. 18
A	Exhaust fumes d.8 cm
B	Hole combustion air inlet d.6 cm
C	Ducting outlet d.8 cm

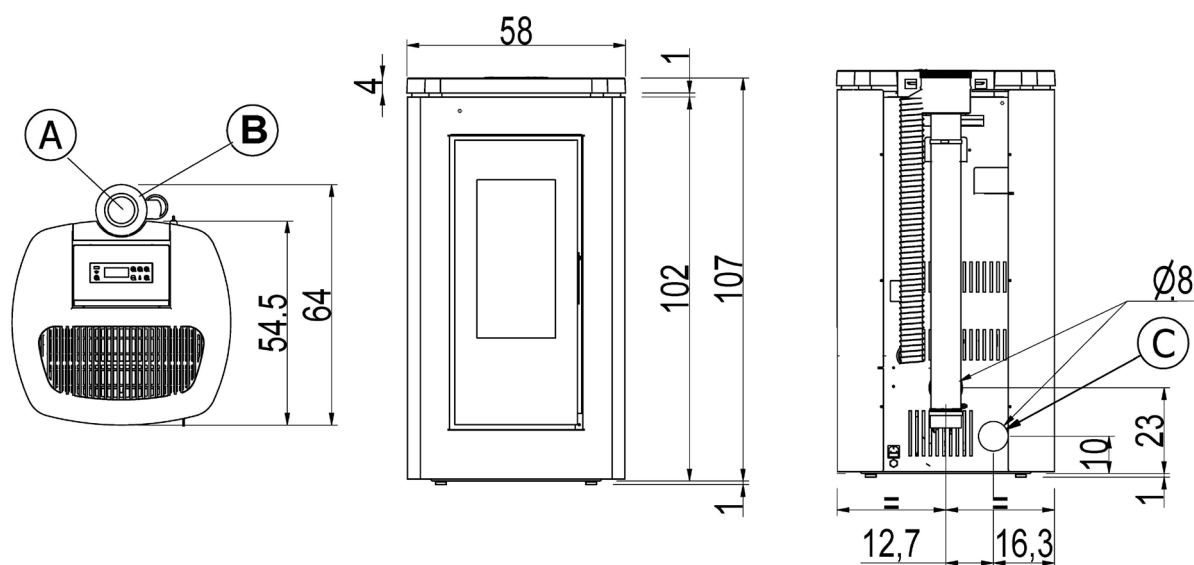


Fig. 19 - Eclipse 11 Bi-FLUX

LEGENDA	Fig. 19
A	Exhaust fumes d.8 cm
B	Hole combustion air inlet d.13 cm
C	Ducting outlet d.8 cm

6.4 REMOVAL/ASSEMBLY OF SIDE PANELS (PRINCE 11 - PRINCE PLUS 11)

To disassemble the side panels, proceed as follows:

- Undo the rear screws (see Fig. 20).
- Disengage the front teeth and remove the side panel (see Fig. 21 Fig. 22).
- To assemble, proceed in reverse order.



Fig. 20 - Remove the rear screws



Fig. 21 - Remove the side panel



Fig. 22 -

6.5 REMOVAL/ASSEMBLY OF THE FRAME (PRINCE 11 - PRINCE PLUS 11)

To disassemble the frame, proceed as follows:

- Push the frame upwards and release the teeth (see **Fig. 23**).
- Remove the frame (to assemble, proceed in reverse order **Fig. 24 Fig. 25**).



Fig. 23 - Unhook the frame

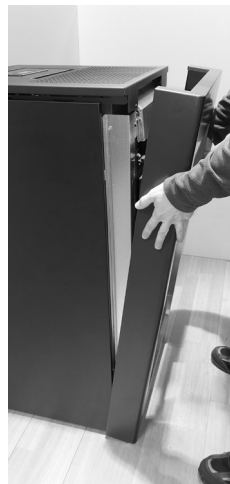


Fig. 24 - Remove the frame



Fig. 25 -

6.6 REMOVAL/ASSEMBLY OF SIDE PANELS (FENICE 11 - FENICE PLUS 11)

To disassemble the side panels, proceed as follows:

- Undo the front screws (see **Fig. 26**) and the rear screws (see **Fig. 27**)
- Remove the side panel (see **Fig. 28**).
- To assemble, proceed in reverse order.



Fig. 26 - Remove the front screws



Fig. 27 - Remove the rear screws



Fig. 28 - Remove the side panel

6.7 REMOVAL/ASSEMBLY OF LOWER FRONT PANEL (FENICE 11 - FENICE PLUS 11)

Proceed as follows to disassemble the front panel:

- Open the door.
- Release the front panel upwards and remove it (see **Fig. 29**).
- To assemble, proceed in reverse order.



Fig. 29 - Remove the front panel

6.8 REMOVAL/ASSEMBLY OF SIDE PANELS (KOBE 11 - KOBE PLUS 11)

To disassemble the side panels, proceed as follows:

- Undo the rear screws (see **Fig. 30**).
- Disengage the front teeth and remove the side panel (see **Fig. 31**).
- To assemble, proceed in reverse order.



Fig. 30 - Remove the rear screws



Fig. 31 - Remove the side panel

6.9 REMOVAL/ASSEMBLY OF THE FRAME (KOBE 11 - KOBE PLUS 11)

To disassemble the frame, proceed as follows:

- Remove the cast iron top (see **Fig. 32**).
- Push the frame upwards and release the teeth.
- Remove the bezel (see **Fig. 33**).
- To assemble, proceed in reverse order.



Fig. 32 - Remove the cast iron top

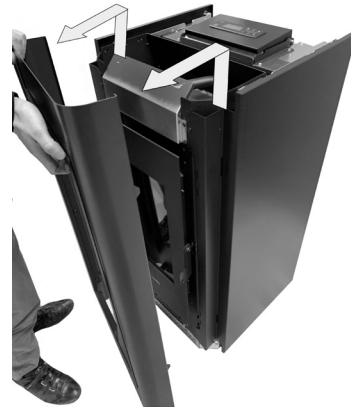


Fig. 33 - Release the frame

6.10 1.2 REMOVAL/ASSEMBLY OF SIDE PANELS (INDACO 11)

To disassemble the side panels, proceed as follows:

- Open the door.
- Undo the screws that secure the front panel (see **Fig. 34**).
- Remove the front panel (see **Fig. 35**).
- Unhook the rear panel upward and remove it (see **Fig. 36**).
-



Fig. 34 - Undo the screws



Fig. 35 - Remove the front panel



Fig. 36 - Unhook the rear panel

- Unscrew the front screws (see **Fig. 37**).
- Remove the front panel (see **Fig. 38**).
- To assemble, proceed in reverse order.



Fig. 37 - .



Fig. 38 - .

6.11 REMOVAL/ASSEMBLY OF THE FRAME (GO 11)

To disassemble the frame, proceed as follows:

- Push the frame upwards and release the teeth (see **Fig. 39**).
- Remove the frame (to assemble, proceed in reverse order **Fig. 40 Fig. 41**).



Fig. 39 - Unhook the frame



Fig. 40 - Remove the frame



Fig. 41 -

6.12 REMOVAL/ASSEMBLY OF SIDE PANELS (ECLIPSE 11)

To disassemble the side panels, proceed as follows:

- Undo the rear screws (see **Fig. 42**)
- Remove the side panel (see **Fig. 43**).
- To assemble, proceed in reverse order.



Fig. 42 - Remove the rear screws



Fig. 43 - Remove the side panel

6.13 REMOVAL/ASSEMBLY OF THE FRAME (ECLIPSE 11)

To disassemble the frame, proceed as follows:

- Remove grille (see **Fig. 44**).
- Remove Top (see **Fig. 45**).
- Push the frame upwards and release the teeth (see **Fig. 46**).
- Remove the frame (to assemble, proceed in reverse order **Fig. 47**).



Fig. 44 - Remove grille



Fig. 45 - Remove Top



Fig. 46 - Unhook the frame



Fig. 47 - Remove the frame

6.14 REAR OR UPPER FUME EXHAUST

The connection of the fume exhaust can be at the back or on top.

REAR EXHAUST



Fig. 48 - Connection of the fume exhaust

- Position the pipe as shown in **Fig. 48**.

UPPER EXHAUST



Fig. 49 - Remove the cap



Fig. 50 - Remove the cap



Fig. 51 - Connect the Tee fitting

- Remove the cap at the back of the cover (see **Fig. 49** or **Fig. 50**).
- Connect a T fitting as shown in **Fig. 51**.



Fig. 52 - Lower the support



Fig. 53 - Connect the pipes



Fig. 54 - Rear fume exhaust mounted

- Bend the support at the back of the stove and insert the fume exhaust pipe (see **Fig. 52**).
- Connect the 2 pipes (see **Fig. 53** and secure it all with the clamp (see **Fig. 54**).

6.15 CONCENTRIC PIPE-KIT ASSEMBLY

The stove is designed to be connected to a concentric pipe by means of a dedicated kit.

The upper exhaust with concentric pipe requires 1 kit code 5020002 (optional).

To assemble the kit, proceed as follows:

- Take the kit (see **Fig. 55**) and couple the pipe to the outlet of the fume exhaust of the stove (see **Fig. 56**).
- Insert the flexible pipe into the combustion air inlet pipe of the stove (see **Fig. 57**).



Fig. 55 - Concentric kit



Fig. 56 - Insert pipe d.80 mm



Fig. 57 - Insert combustion air pipe

- Secure the kit to the back of the stove with a clamp (see **Fig. 58**).

- The stove is ready to be connected to the flue (see **Fig. 59**).



Fig. 58 - Block with clamp



Fig. 59 - Position of the pipe

6.16 HOT AIR DUCTING (ONLY VALID FOR DUCTED STOVES)

The stove has 1 hot air outlet which is rear-facing on the left-hand side by default. (see **Fig. 60**).



Fig. 60 - Ducting outlet

6.16.1 Ducting solutions:

SOLUTION A: ducting with the rear hot air outlet



Fig. 61 - Diverter removal



Fig. 62 - Insert pipe

- Remove the air diverter (see **Fig. 61**).
- The stove is ready to be ducted, position the pipe as shown in the photo (see **Fig. 62**).

SOLUTION B: ducting with the upper hot air outlet.
Top ducting requires 1 kit code 5020003 (optional).



Fig. 63 - Diverter removal



Fig. 64 - Remove the cap



Fig. 65 - Connect the flexible hose

- Remove the left side panel (see dedicated chapter).
- Remove the air diverter (see **Fig. 63**).
- Remove the upper cap where the ducting will come out (see **Fig. 64**).
- Connect the flexible hose to the duct fan (see **Fig. 65**).



Fig. 66 - Block the flexible hose



Fig. 67 - Connect pipe d.80 mm



Fig. 68 - Fold the tabs

- Block the flexible hose to the fan using the clamp supplied (see **Fig. 66**).
- Connect the d.80 mm pipe supplied to the flexible hose (see **Fig. 67**).
- Fold the upper ducting support tabs down (see **Fig. 68**).



Fig. 69 - Block pipe d.80 mm



Fig. 70 - Insert pipe

- Block to the support using a clamp with the tabs folded (see **Fig. 69**).
- The stove is ready to be ducted, position the pipe as shown in the photo (see **Fig. 70**).

6.17 DUCTING DATA



Fig. 71 - Ducting system example

- If the stove is not fitted with ducting system, it provide a hot air capacity ranging from a minimum of 44 m³/h to a maximum of 86 m³/h with a temperature ranging between 95°C and 140°C.
- For the ducting system, we recommend using a pipe with a maximum length of 7 mt and up to three 90° elbows in order to maintain hot air temperature.
- Use pipes with smooth internal surface and a diameter of 80 mm.
- Fit the pipe with insulating material if it passes through a cold wall.
- The outlet must be protected by a grid with wide mesh and a minimum total surface area of 40 cm².
- If the pipes used are longer than 7 mt, the air capacity ranges from a minimum of 34 m³/h to a maximum of 70 m³/h and the temperature from 50°C to 82°C. (These values refer to the laboratory used for the tests. The room where the stove is installed may register different values both in terms of capacity and temperature).
- If you wish to increase air capacity, install at the end of the pipe a small wall-mounted fan with a capacity exceeding 130 m³/h. The installation must be carried out by an authorised technician.
- According to the factory parameters, 1/2 of the generated heat is conveyed into the room where the stove is installed, while the remaining 1/2 are conveyed through the left ducting pipe system.
- See the dedicated chapter of the USER MANUAL for the various adjustments.

6.18 ELECTRIC CONNECTION



Warning: the appliance must be installed by an authorized technician!

- The electric connection occurs through a cable with plug put in an electric socket which is able to support charge and tension specific of every model, as described in the technical datas table (see **FEATURES a pag. 33**).
- The plug must be easily accessible when the appliance is installed.
- Please further assure you that your network is endowed with an efficient earth connection: if it does not exist or if it is not efficient, please endow you with one in compliance with the law.
- Connect the supply cable first on the back of the stove (see (ERRORE Destinazione riferimento incrociato 2_21531 non trovato)

and (ERRORE Destinazione riferimento incrociato 2_21532 non trovato)) and then at a wall electric socket.



Fig. 72 - Electric socket with master switch



Fig. 73 - Plug connected

- Do not use extension cables.
- If the feeder cable is damaged, it must be replaced by an authorized technician.
- When the stove is not going to be used for a long period of time, it is advisable to remove the plug from the socket on the wall.
- An electrical connection to a UPS/ACCUMULATOR/ STABILISER must guarantee a voltage of at least 210 V without power surges. Considering the variety of UPS on the market regarding size and construction qualities, we cannot guarantee operation once the stove is connected to these devices.

6.19 CONNECTION TO THE EXTERNAL THERMOSTAT

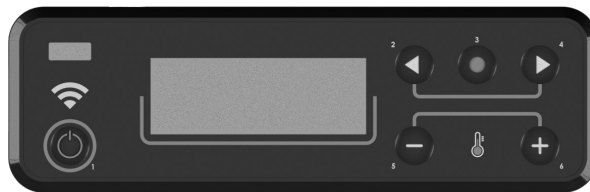


Fig. 74 - Graphic display

The stove works through a thermostat probe placed in its inner. If you desire, the stove can be connected to an external room thermostat. This operation must be executed by an authorized technician.

Connect the wires from the external thermostat to the "Term opt" terminal on the stove board. Activate the external thermostat (default setting OFF) as indicated below:

- Press the **"menu"** button.
- Scroll with the arrows to **"Settings"**.
- Select by pressing **"menu"**.
- Scroll with the arrows again to **"Ext.Thermostat"**.
- Select by pressing **"menu"**.
- Press the - + buttons.
- To activate the external thermostat select **"on"**.
- Press the **"menu"** button to confirm.

6.20 STOVE CALIBRATION AND DEPRESSION MEASUREMENT

This stove has a pickup point positioned on the tank in order to measure the depression of the combustion chamber and verify its proper operation.

To do this, proceed as follows:

- Connect a digital pressure switch with a tube to detect the negative pressure (see **Fig. 75**).
- Load the feed screw via appropriate function.
- Start the stove and set "Set flame" to power 1 (the start-up time of this stove lasts between 8 and 10 minutes to ensure minimum draught).
- Compare the read values with those on the table.
- Change power every 10 minutes and wait for it to stabilise.
- Access the user menu and, if necessary, change the parameters.



Fig. 75 - Casing removal

DATA	P1	P2	P3	P4	P5
Stove depression - temperature 11 kW	25 Pa - 120°C	44 Pa - 138°C	57 Pa - 165°C	64 Pa - 185°C	70 Pa - 200°C

NB: for good combustion, the depression values must be between ± 5 Pa and the temperature values between $\pm 10^\circ\text{C}$.

6.21 ROOM PROBE

The stove is equipped with a room sensor, locked internally with a cable gland. If you wish to move the room temperature detection point, loosen the nut and remove the probe **Fig. 76**. If this is not sufficient, the sides must be opened and the available part of the internal cable pulled out **Fig. 77**; the probe will stretch 20 to 40 cm depending on the stove model.



Fig. 76 - Unscrew the nut



Fig. 77 - Room probe 2

7 SPECIAL MAINTENANCE

7.1 INTRODUCTION

For a long working life of the stove, have a periodic cleaning of the stove as described in the following paragraphs.

- Fume outlet pipes (fume conduit + chimney flue + chimney pot) must always be cleaned, scrubbed and checked by an authorized technician in compliance with local regulations, with the instructions of the manufacturer and those of your insurance company.
- If there are no local regulations and no instruction from your insurance company, it is necessary to have your fume pipe, chimney flue and chimney pot cleaned at least once a year.
- It is also necessary to have the combustion chamber, motors and fans cleaned and to have the gaskets and the electrical elements checked at least once a year.



All these operations must be planned in time with your Authorized Technical Assistance Service.

- After a long ineffective time, before turning on the stove check if there are obstructions in the fume exhaust.

- If the stove had been using continuously and intensely, the whole system (chimney included), must be cleaned and checked more frequently.
- In case of replacement of damaged pieces please ask for the original spare part at the Authorized Retailer.

7.2 FUME CHAMBER CLEANING

Every end-of-season (or every 2000 hours of operation) it is necessary to clean the fume chamber.

- Open the door and release the panel below the door (see dedicated chapter).
- Remove the burning pot (see **Fig. 78**) from its seat and empty all ash.
- Clean and vacuum the burning pot compartment of any ash accumulated inside (see **Fig. 79**).
- Remove the inspection cap (see **Fig. 80**).



Fig. 78 - Remove the burning pot



Fig. 79 - Vacuum out the ash



Fig. 80 - Remove the cap

- Clean with a pipe cleaner and suction any ash accumulated inside (see **Fig. 81** and **Fig. 82**).
- After cleaning, repeat the operation in reverse making sure the gasket is intact and efficient: if necessary, have it replaced by an authorised technician.



Fig. 81 - Clean with pipe cleaner



Fig. 82 - Vacuum out the ash

7.3 FUME CONDUIT CLEANING

The exhaust system must be cleaned every 2/3 months.



Fig. 83 - Fume conduit cleaning

- Remove the inspection lid of the T-union (see **Fig. 83**).
- Extract the ash which has accumulated in the inner.
- After cleaning repeat the operation in reverse order, checking the condition and efficiency of the gasket, and if necessary replace it.



It is important to sealed the cap othwise noxious fumes will propagate among the room.

7.4 FUME PASSAGE CLEANING

Every end-of-season (or every 2000 hours of operation) it is necessary to clean the fume passages.

- Remove the door (see the dedicated chapter).
- Undo the hex head screws that block the cast-iron tiles of the hearth, on both sides (see **Fig. 84**).
- Push the head of the firebox up (see **Fig. 85**), tilt the piece and pull it out (see **Fig. 86**).



Fig. 84 - Remove the hex screws



Fig. 85 - Remove the head of the firebox 1



Fig. 86 - Remove the head of the firebox 2

- Then remove the side walls of the firebox (see **Fig. 87**).
- Lastly remove the back panel of the firebox (see **Fig. 88**).



Fig. 87 - Remove the back panel of the firebox



Fig. 88 - Remove the side walls

- Clean with a pipe cleaner and suction any ash accumulated inside (see **Fig. 89**).
- Part of the ash will fall into the compartment below the firebox (see **Fig. 90**). See the previous chapter for the cleaning operation.



Fig. 89 - Clean with pipe cleaner



Fig. 90 - Vacuum out the ash

7.5 FUME FAN CLEANING

Clean every the year the fume fan from ash or dust which can cause a blade unbalance and a greater noise.

- Open the door and release the panel under the door (see dedicated chapter).
- Remove the inspection cap (see **Fig. 91**).
- Unscrew the 2 screws of the smoke deflector inside (see **Fig. 92**) and remove it (see **Fig. 93**).



Fig. 91 - Remove the cap

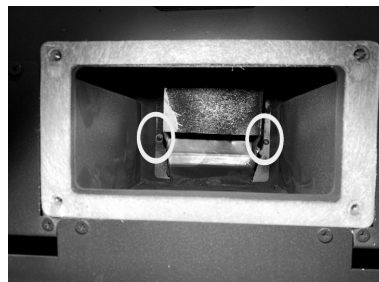


Fig. 92 - Unscrew the screws



Fig. 93 - Remove the fume diverter

- Vacuum the blades of the fume extraction fan (see **Fig. 94**).
- After cleaning, repeat the operation in reverse making sure the gasket is intact and efficient: if necessary, have it replaced by an authorised technician.



Fig. 94 - Vacuum out the ash

7.6 ROOM FAN CLEANING

Clean every the year the room fan from ash or dust which can cause a blade unbalance and a greater noise.

- Remove the sides. (see **Fig. 95**).
- Remove dust build-up using a brush or a vacuum cleaner (see **Fig. 96**).



Fig. 95 - Room fan cleaning

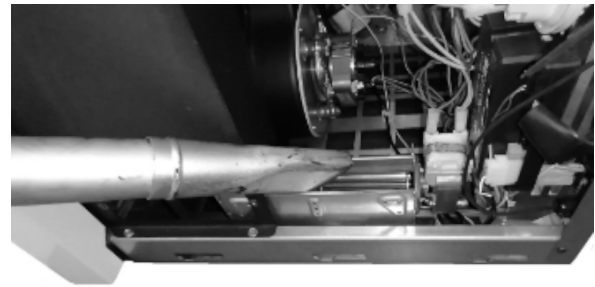


Fig. 96 - Room fan cleaning

8 IN CASE OF ANOMALY










8.1 PROBLEM SOLVING



























Before of every Authorized Technician intervention, the same Technician has the duty to check if the parameters of the mother board correspond to those of the table you own.



In case of doubts regarding the use of the stove, please contact ALWAYS the Authorized Technician on order to avoid irreparable damages!

PROBLEM	CAUSE	SOLUTION	INTERVENTION
The control display does not switch on	The stove is without power supply	Check if the plug is connected.	
	Burned protection fuse in the electric socket	Replace the protection fuses in the electric socket (3.15A-250V).	
	Faulty control display	Replace the control display.	
	Faulty flat cable	Replace the flat cable.	
	Faulty electronic board	Replace the mother board.	
Pellets do not reach the combustion chamber	Empty hopper	Full the hopper.	
	Open fire door or open pellet door	Close fire door and pellet door and check that there are no pellet grains at the gasket level.	
	Clogged stove	Fume chamber cleaning	
	Auger blocked by a foreign object (for example nails)	Clean the auger.	

PROBLEM	CAUSE	SOLUTION	INTERVENTION
	The auger geared motor is out of order	Replace the geared motor.	
	Check if on the display there is an "ACTIVE ALARM"	Have the stove checked.	
The fire extinguish and the stove stops	Empty hopper	Full the hopper.	
	Auger blocked by a foreign object (for example nails)	Clean the auger.	
	Bad quality pellets	Try other types of pellets.	
	Pellet drop value too low "phase 1"	Adjust the pellet loading.	
	Check if on the display there is an "ACTIVE ALARM"	Have the stove checked.	
	The door does not close perfectly or the gaskets are worn	Check the door seal and replace the gaskets.	
	Ignition step is not completed	Empty the brazier and repeat ignition.	
	Clogged exhaust	The exhaust chimney is partially or totally obstructed. Call a skilled chimney technician to check from the stove exhaust to the chimney pot. Clean immediately.	
Flames are weak and orange coloured, pellets do not burn properly and the glass blackens	Not sufficient combustion air	Check as following: probable obstructions of the combustible air inlet from the back or from the bottom of the stove; burning pot obstructed holes with too ash remains. Have the fan blades and auger cleaned. (see SMOKE RPM VARIATION User Manual)	
	Obstructed exhaust	The exhaust chimney is partially or totally obstructed. Contact an expert stove-repairer who checks the stove from the exhaust up to the chimney pot. Provide immediately for stove cleaning.	
	Obstructed stove	Provide immediately at the inner cleaning of the stove.	
	The fume fan is out of order	The pellets can burn also thanks to chimney flue depression without the aid of the fume fan. Have the fume fan immediately replaced. It can be noxious to health to let the stove running without fume fan.	

PROBLEM	CAUSE	SOLUTION	INTERVENTION
The exchanger fan continues to turn even though the stove has just cooled	Faulty fume temperature probe	Replace the fume probe.	
	Faulty mother board	Replace the mother board.	
Ash remains along the stove	Faulty or out of order door gaskets	Replace the gaskets.	
	Not sealed fume pipes	Contact an expert stove-repairer who will immediately provide for sealing the junctions with high-temperature silicone and/or for replacing pipes with those in compliance to current regulations. A not sealed fume channelisation can be noxious to health.	
The stove is at its highest power but does not heat up.	Ambient temperature reached.	The stove is at its minimum value. Increase the desired ambient temperature.	
Stove running and display showing "Smoke Overtemperature"	Reached fume outlet limit temperature	The stove runs at minimum. NO PROBLEM!	
The stove's smoke duct produces condensation	Low smoke temperature	Check that the flue is not clogged.	
		Increase stove power to minimum (pellet drop and fan revs).	
		Install condensation collection cup.	
Stove running and display showing "SERVICE"	Routine maintenance alert (it does not block the system)	When this flashing message appears upon start-up, it means that the preset operating hours have elapsed before maintenance. Contact the service centre.	

9 TECHNICAL DATAS

9.1 REPAIR INFORMATION

Now we give some instructions for the Authorized Technician to take into consideration to have access to stove mechanical components.

- For fuse replacement in the electric socket which stands on the back of the stove, extract the fuses to change with the aid of a screwdriver for opening the shutter (see **Fig. 97**).



Fig. 97 - Shutter with fuses to remove

Proceed as follows:

- Remove the frame (see the dedicated chapters).
- After these operations you can have access at the following components: geared motor, ignition plug, ambient fan, fume fan, ambient probe, fume probe, thermostat, electronic board, pressostat.

- For cleaning or replacement of the auger it is necessary to unscrew the three bolts of the geared motor and to extract it, unscrew the two screws lying under the geared motor (vedi **Fig. 98**), of the auger, remove the hand rejector inside the hopper and then unscrew the inner bolt of the auger. (vedi **Fig. 99**). To assembly proceed at the contrary.



Fig. 98 - Remove the screws



Fig. 99 - Remove the screw

FEATURES

DESCRIPTION	PRINCE 11 T1	KOBE 11 T1	FENICE 11 T1
WIDTH	51,5 cm	51,6 cm	56,9 cm
DEPTH	54,7 cm	55 cm	51.2 cm
HEIGHT	109,9 cm	109,6 cm	109cm
WEIGHT	109 kg	111 kg	130 kg
INTRODUCED THERMIC POWER (Min/Max)	3,3 - 11,6 kW	3,3 - 11,6 kW	3,3 - 11,6 kW
NOMINAL THERMIC POWER (Min/Max)	3 - 10,5 kW	3 - 10,5 kW	3 - 10,5 kW
EFICIENCY (Min/Max)	90 - 90 %	90 - 90 %	90 - 90 %
FUME TEMPERATURE (Min/Max)	95 - 175 °C	95 - 175 °C	95 - 175 °C
FUME MAXIMUM LOADING CAPACITY (Min/Max)	4 - 8 g/s	4 - 8 g/s	4 - 8 g/s
CO EMISSIONS (13% O ₂) (Min/Max)	0,018 - 0,013 %	0,018 - 0,013 %	0,018 - 0,013 %
OGC EMISSIONS (13% O ₂) (Min/Max)	5 - 5 mg/Nm ³	5 - 5 mg/Nm ³	5 - 5 mg/Nm ³
NO _x EMISSIONS (13% O ₂) (Min/Max)	130 - 100 mg/Nm ³	130 - 100 mg/Nm ³	130 - 100 mg/Nm ³
Medium CO CONTENTS at 13% O ₂ (Min/Max)	230 - 159 mg/Nm ³	230 - 159 mg/Nm ³	230 - 159 mg/Nm ³
Medium POWDER CONTENTS at 13% O ₂ (Min/Max)	20 - 15 mg/Nm ³	20 - 15 mg/Nm ³	20 - 15 mg/Nm ³
CHIMNEY DEPRESSION (Max)	8 - 12 Pa	8 - 12 Pa	8 - 12 Pa
ON SHARED CHIMNEY FLUE	NO	NO	NO
FUME OUTLET DIAMETER	Ø80 mm	Ø80 mm	Ø80 mm
COMBUSTIBLE	Pellet Ø6-7 mm	Pellet Ø6-7 mm	Pellet Ø6-7 mm
PELLETS HEATING VALUE	5 kWh/kg	5 kWh/kg	5 kWh/kg
PELLETS HUMIDITY	≤ 10%	≤ 10%	≤ 10%
HEATING VOLUME 18/20°C Coeff. 0,045 kW (Min/Max)	84 - 294 m ³	84 - 294 m ³	84 - 294 m ³
HOURLY CONSUMPTION (Min/Max)	0,7 - 2,5 kg/h	0,7 - 2,5 kg/h	0,7 - 2,5 kg/h
HOPPER CAPACITY	25 kg	25 kg	20 kg
RANGE (Min/Max)	10 - 36 h	10 - 36 h	8 - 29 h
SUPPLY	230 V - 50 Hz	230 V - 50 Hz	230 V - 50 Hz
POWER INPUT (Max)	110 W	110 W	110 W
INGNITER RESISTANCE POWER INPUT	340 W	340 W	340 W
MINIMUM EXTERNAL AIR INLET (last effective area)	80 cm ²	80 cm ²	80 cm ²
STOVE WITH SEALED CHAMBER	YES	YES	YES
EXTERNAL AIR INLET FOR SEALED CHAMBER	60 mm	60 mm	60 mm
DISTANCE FROM COMBUSTIBLE MATERIAL (back/side/bottom)	200 / 300 / 0 mm	200 / 300 / 0 mm	200 / 300 / 0 mm
DISTANCE FROM COMBUSTIBLE MATERIAL (ceiling/front)	- / 1000 mm	- / 1000 mm	- / 1000 mm

DESCRIPTION	PRINCE PLUS 11 T1	KOBE PLUS 11 T1	FENICE PLUS 11 T1
WIDTH	51,5 cm	51,6 cm	56,9 cm
DEPTH	54,7 cm	55 cm	51.2 cm
HEIGHT	109,9 cm	109,6 cm	109cm
WEIGHT	112 kg	114 kg	133 kg
INTRODUCED THERMIC POWER (Min/Max)	3,3 - 12 kW	3,3 - 12 kW	3,3 - 12 kW
NOMINAL THERMIC POWER (Min/Max)	3 - 10,5 kW	3 - 10,5 kW	3 - 10,5 kW
EFICIENCY (Min/Max)	90 - 88 %	90 - 88 %	90 - 88 %
FUME TEMPERATURE (Min/Max)	95 - 200 °C	95 - 200 °C	95 - 200 °C
FUME MAXIMUM LOADING CAPACITY (Min/Max)	4 - 8 g/s	4 - 8 g/s	4 - 8 g/s
CO EMISSIONS (13% O ₂) (Min/Max)	0,018 - 0,013 %	0,018 - 0,013 %	0,018 - 0,013 %
OGC EMISSIONS (13% O ₂) (Min/Max)	5 - 5 mg/Nm ³	5 - 5 mg/Nm ³	5 - 5 mg/Nm ³
NO _x EMISSIONS (13% O ₂) (Min/Max)	130 - 100 mg/Nm ³	130 - 100 mg/Nm ³	130 - 100 mg/Nm ³
Medium CO CONTENTS at 13% O ₂ (Min/Max)	230 - 159 mg/Nm ³	230 - 159 mg/Nm ³	230 - 159 mg/Nm ³
Medium POWDER CONTENTS at 13% O ₂ (Min/Max)	20 - 15 mg/Nm ³	20 - 15 mg/Nm ³	20 - 15 mg/Nm ³
CHIMNEY DEPRESSION (Max)	8 - 12 Pa	8 - 12 Pa	8 - 12 Pa
ON SHARED CHIMNEY FLUE	NO	NO	NO
FUME OUTLET DIAMETER	Ø80 mm	Ø80 mm	Ø80 mm
COMBUSTIBLE	Pellet Ø6-7 mm	Pellet Ø6-7 mm	Pellet Ø6-7 mm
PELLETS HEATING VALUE	5 kWh/kg	5 kWh/kg	5 kWh/kg
PELLETS HUMIDITY	≤ 10%	≤ 10%	≤ 10%
HEATING VOLUME 18/20°C Coeff. 0,045 kW (Min/Max)	84 - 294 m ³	84 - 294 m ³	84 - 294 m ³
HOURLY CONSUMPTION (Min/Max)	0,7 - 2,5 kg/h	0,7 - 2,5 kg/h	0,7 - 2,5 kg/h
HOPPER CAPACITY	25 kg	25 kg	20 kg
RANGE (Min/Max)	10 - 36 h	10 - 36 h	8 - 29 h
SUPPLY	230 V - 50 Hz	230 V - 50 Hz	230 V - 50 Hz
POWER INPUT (Max)	120 W	120 W	120 W
INGNITER RESISTANCE POWER INPUT	340 W	340 W	340 W
MINIMUM EXTERNAL AIR INLET (last effective area)	80 cm ²	80 cm ²	80 cm ²
STOVE WITH SEALED CHAMBER	YES	YES	YES
EXTERNAL AIR INLET FOR SEALED CHAMBER	60 mm	60 mm	60 mm
DISTANCE FROM COMBUSTIBLE MATERIAL (back/side/bottom)	200 / 300 / 0 mm	200 / 300 / 0 mm	200 / 300 / 0 mm
DISTANCE FROM COMBUSTIBLE MATERIAL (ceiling/front)	- / 1000 mm	- / 1000 mm	- / 1000 mm

DESCRIPTION	INDACO 11 T1	GO 11 T1	ECLIPSE 11 T1
WIDTH	47,7 cm	51,5 cm	58.2 cm
DEPTH	55,2 cm	56 cm	54.6 cm
HEIGHT	108.1 cm	110 cm	108 cm
WEIGHT	114 kg	112 kg	133 kg
INTRODUCED THERMIC POWER (Min/Max)	3,3 - 11,6 kW	3,3 - 12 kW	3,3 - 12 kW
NOMINAL THERMIC POWER (Min/Max)	3 - 10,5 kW	3 - 10,5 kW	3 - 10,5 kW
EFICIENCY (Min/Max)	90 - 88 %	90 - 88 %	90 - 88 %
FUME TEMPERATURE (Min/Max)	95 - 200 °C	95 - 200 °C	95 - 200 °C
FUME MAXIMUM LOADING CAPACITY (Min/Max)	4 - 8 g/s	4 - 8 g/s	4 - 8 g/s
CO EMISSIONS (13% O ₂) (Min/Max)	0,018 - 0,013 %	0,018 - 0,013 %	0,018 - 0,013 %
OGC EMISSIONS (13% O ₂) (Min/Max)	5 - 5 mg/Nm ³	5 - 5 mg/Nm ³	5 - 5 mg/Nm ³
NO _x EMISSIONS (13% O ₂) (Min/Max)	130 -100 mg/Nm ³	130 -100 mg/Nm ³	130 -100 mg/Nm ³
Medium CO CONTENTS at 13% O ₂ (Min/Max)	230 - 159 mg/Nm ³	230 - 159 mg/Nm ³	230 - 159 mg/Nm ³
Medium POWDER CONTENTS at 13% O ₂ (Min/Max)	20 - 15 mg/Nm ³	20 - 15 mg/Nm ³	20 - 15 mg/Nm ³
CHIMNEY DEPRESSION (Max)	8 - 12 Pa	8 - 12 Pa	8 - 12 Pa
ON SHARED CHIMNEY FLUE	NO	NO	NO
FUME OUTLET DIAMETER	Ø80 mm	Ø80 mm	Ø80 mm
COMBUSTIBLE	Pellet Ø6-7 mm	Pellet Ø6-7 mm	Pellet Ø6-7 mm
PELLETS HEATING VALUE	5 kWh/kg	5 kWh/kg	5 kWh/kg
PELLETS HUMIDITY	≤ 10%	≤ 10%	≤ 10%
HEATING VOLUME 18/20°C Coeff. 0,045 kW (Min/Max)	84 - 294 m ³	84 - 294 m ³	84 - 294 m ³
HOURLY CONSUMPTION (Min/Max)	0,7 - 2,5 kg/h	0,7 - 2,5 kg/h	0,7 - 2,5 kg/h
HOPPER CAPACITY	25 kg	25 kg	20 kg
RANGE (Min/Max)	10 - 36 h	10 - 36 h	8 - 29 h
SUPPLY	230 V - 50 Hz	230 V - 50 Hz	230 V - 50 Hz
POWER INPUT (Max)	120 W	120 W	120 W
INGNITER RESISTANCE POWER INPUT	340 W	340 W	340 W
MINIMUM EXTERNAL AIR INLET (last effective area)	80 cm ²	80 cm ²	80 cm ²
STOVE WITH SEALED CHAMBER	YES	YES	YES
EXTERNAL AIR INLET FOR SEALED CHAMBER	60 mm	60 mm	60 mm
DISTANCE FROM COMBUSTIBLE MATERIAL (back/side/bottom)	200 / 300 / 0 mm	200 / 300 / 0 mm	200 / 300 / 0 mm
DISTANCE FROM COMBUSTIBLE MATERIAL (ceiling/front)	- / 1000 mm	- / 1000 mm	- / 1000 mm



89022002B

Rev. 00-2024

CADEL srl
31025 S. Lucia di Piave - TV
Via Martiri della Libertà, 74 - Italy
Tel. +39 0438 1520200

www.cadelsrl.com
www.free-point.it